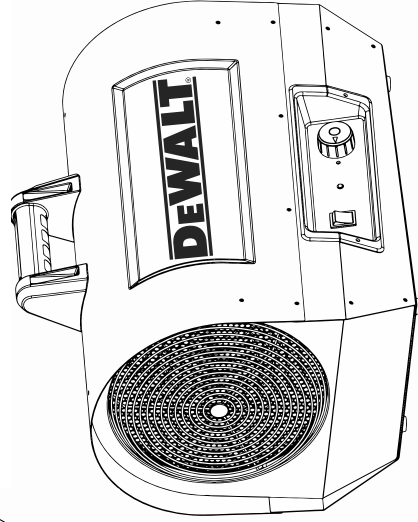
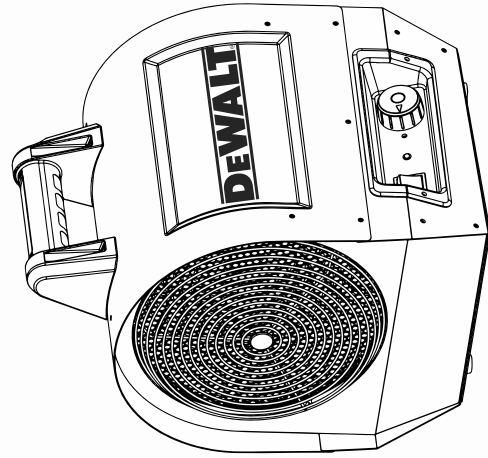




## INSTRUCTION MANUAL

### Electric Forced-Air Heater DXH330, DXH1000



### **Warning:**

Use only manufacturer's replacement parts. Use of any other parts could cause injury or death. Replacement parts are only available direct from the factory and must be installed by a qualified service agency.

### **PARTS ORDERING INFORMATION:**

**PURCHASING:** Accessories may be purchased at any DeWalt® local dealer or direct from the factory

### **FOR INFORMATION REGARDING SERVICE:**

Please call Toll-Free 855-805-5745  
[www.dewalt.com](http://www.dewalt.com)

Our office hours are 8:00 AM – 5:00 PM, EST, Monday through Friday.

Please include the model number, date of purchase, and description of problem in all communication.

### **LIMITED WARRANTY:**

DeWalt® warrants its heaters and accessories to be free from defects in material and workmanship for a period of 1 year from date of purchase. DeWalt® will repair or replace this product free of charge if it has been proven to be defective within the 1-year period, and is returned at customer expense with proof of purchase to DeWalt® within the warranty period.

DEWALT®, GUARANTEED TOUGH® and the yellow and black color scheme are trademarks of the DEWALT Industrial Tool Co., used under license. ©2018 DEWALT. EGI/Enerco Group Inc. Under license from Dewalt

Industrial Tool Co.