

If you have questions or comments, contact us.
 Pour toute question ou tout commentaire, nous contacter.
 Si tiene dudas o comentarios, contáctenos.

1-800-4-DEWALT • www.dewalt.com

INSTRUCTION MANUAL
 GUIDE D'UTILISATION
 MANUAL DE INSTRUCCIONES

INSTRUCTIVO DE OPERACIÓN, CENTROS DE SERVICIO Y
 POLIZA DE GARANTÍA. ADVERTENCIA: LEÁSE ESTE
 INSTRUCTIVO ANTES DE USAR EL PRODUCTO.

DEWALT®

DC012
Heavy-Duty Work Site Charger/Radio
Poste radio/chargeur de chantier à service intensif
Radio/cargador para emplazamientos de trabajo pesado

DEWALT Industrial Tool Co., 701 East Joppa Road, Baltimore, MD 21286
 (DEC13) Part No. N377871 DC012 Copyright © 2009, 2013 DEWALT

The following are trademarks for one or more DEWALT power tools: the yellow and black color scheme; the "D" shaped air intake grill; the array of pyramids on the handgrip; the kit box configuration; and the array of lozenge-shaped humps on the surface of the tool.

Definitions: Safety Guidelines

The definitions below describe the level of severity for each signal word. Please read the manual and pay attention to these symbols.

- ⚠ **DANGER:** Indicates an *imminently hazardous situation which, if not avoided, will result in death or serious injury.*
- ⚠ **WARNING:** Indicates a *potentially hazardous situation which, if not avoided, could result in death or serious injury.*
- ⚠ **CAUTION:** Indicates a *potentially hazardous situation which, if not avoided, may result in minor or moderate injury.*
- 📌 **NOTICE:** indicates a *practice not related to personal injury which, if not avoided, may result in property damage.*

IF YOU HAVE ANY QUESTIONS OR COMMENTS ABOUT THIS OR ANY DEWALT TOOL, CALL US TOLL FREE AT: **1-800-4-DEWALT (1-800-433-9258)**

DC012 Heavy-Duty Work Site Charger/Radio

The DC012 Heavy-Duty Work Site Charger/Radio is a combination AM/FM radio and DEWALT charger. The DC012 will charge most DEWALT 7.2 to 18.0 volt NiCd, NiMH, Li-Ion batteries except for Univolt batteries. Batteries sold separately.

Important Safety Instructions

1. Read these instructions.
2. Keep these instructions.
3. Heed all warnings.
4. Follow all instructions.
5. Do not use this apparatus near water.
6. Clean only with a dry cloth.
7. Do not block any ventilation openings. Install in accordance with the manufacturer's instructions.
8. Do not install near any heat sources such as radiators, heat registers, stoves or other apparatus (including amplifiers) that produce heat.
9. Do not defeat the safety purpose of the polarized or grounding-type plug. A polarized plug has two blades with one wider than the other. A grounding type plug has two blades and a third grounding prong. The wide blade or the third prong are provided for your safety. If the provided plug does not fit into your outlet, consult an electrician for replacement of the obsolete outlet.
10. Protect the power cord from being walked on or pinched particularly at plugs, convenience receptacles, and the point where they exit from the apparatus.
11. Only use attachments/accessories specified by the manufacturer.
12. Only place radio on a level, stable surface.
13. Unplug this apparatus during lightning storms or when unused for long periods of time.
14. Refer all servicing to qualified service personnel. Servicing is required when the apparatus has been damaged in any way, such as power-supply cord or plug is damaged, liquid has been spilled or objects have fallen into the apparatus, the apparatus has been exposed to rain or moisture, does not operate normally, or has been dropped.
15. Apparatus shall not be exposed to dripping or splashing and no objects filled with liquids, such as vases, shall be placed on the apparatus



- ⚡ The lightning flash with arrow head within a triangle is intended to tell the user that parts inside the product are a risk of electric shock to persons.
- ⚠ The exclamation point within a triangle is intended to tell the user that important operating and servicing instructions are in the papers with the appliance.

This Class B digital apparatus complies with Canadian ICES-003.

NOTE: This equipment has been tested and found to comply with the limits for a Class B digital device, pursuant to Part 15 of the FCC Rules. These limits are designed to provide reasonable protection against harmful interference in a residential installation. This equipment generates, uses and can radiate radio frequency energy and, if not installed and used in accordance with the instructions, may cause harmful interference to radio communications. However, there is no guarantee that interference will not occur in a particular installation. If this equipment does cause harmful interference to radio or television reception, which can be determined by turning the equipment off and on, the user is encouraged to try to correct the interference by one or more of the following measures:

- Reorient or relocate the receiving antenna.
- Increase the separation between the equipment and the receiver.
- Connect the equipment into an outlet on a circuit different from that to which the receiver is connected
- Consult the dealer or an experienced radio/TV technician for help.

NOTICE: Per FCC Part 15, changes or modifications to this equipment not expressly approved by DEWALT could void your authority to operate this equipment.

⚠ **WARNING:** To reduce the risk of fire or electric shock, do not expose this apparatus to rain or moisture. Use only in dry locations.

⚠ **CAUTION:** To prevent electric shock, match wide blade of plug to wide slot fully insert.

• The label on your tool may include the following symbols. The symbols and their definitions are as follows:

V.....volts	A.....amperes
Hz.....hertz	W.....watts
min.....minutes	~.....alternating current
==.....direct current	⌚.....alternating or direct current
①.....Class I Construction	n _ono load speed
.....(grounded)	⊕.....earthing terminal
☐.....Class II Construction	▲.....safety alert symbol
.....(double insulated)	BPM.....beats per minute
.../min.....per minute	RPM.....revolutions per minute
⚡.....shock hazard symbol	

Important Safety Instructions for All Battery Packs

When ordering replacement battery packs, be sure to include catalog number and voltage. Consult the chart at the end of this manual for compatibility of chargers and battery packs. The battery pack is not fully charged out of the carton. Before using the battery pack and charger, read the safety instructions below. Then follow charging procedures outlined.

READ ALL INSTRUCTIONS

- **Do not charge or use battery in explosive atmospheres, such as in the presence of flammable liquids, gases or dust.** Inserting or removing the battery from the charger may ignite the dust or fumes.
- **NEVER force battery pack into charger. DO NOT modify battery pack in any way to fit into a non-compatible charger as battery pack may rupture causing serious personal injury.** Consult the chart at the end of this manual for compatibility of batteries and chargers.
- Charge the battery packs only in DEWALT chargers.
- **DO NOT** splash or immerse in water or other liquids.
- **Do not store or use the tool and battery pack in locations where the temperature may reach or exceed 105°F (40°C) (such as outside sheds or metal buildings in summer).**

⚠ **DANGER:** Electrocutation hazard. Never attempt to open the battery pack for any reason. If battery pack case is cracked or damaged, do not insert into charger. Do not crush, drop or damage battery pack. Do not use a battery pack or charger that has received a sharp blow, been dropped, run over or damaged in any way (i.e., pierced with a nail, hit with a hammer, stepped on). Electric shock or electrocution may result. Damaged battery packs should be returned to service center for recycling. **NOTE:** Battery storage and carrying caps are provided for use whenever the battery is out of the tool or charger. Remove cap before placing battery in charger or tool.

⚠ **WARNING:** Fire hazard. Do not store or carry battery so that metal objects can contact exposed battery terminals. For example, do not place battery in aprons, pockets, tool boxes, product kit boxes, drawers, etc., with loose nails, screws, keys, etc. without battery cap. **Transporting batteries can possibly cause fires if the battery terminals inadvertently come in contact with conductive materials such as keys, coins, hand tools and the like.** The US Department of Transportation Hazardous Material Regulations (HMR) actually prohibit transporting batteries in commerce or on airplanes (i.e., packed in suitcases and carry-on luggage) UNLESS they are properly protected from short circuits. So when transporting individual batteries, make sure that the battery terminals are protected and well insulated from materials that could contact them and cause a short circuit.



SPECIFIC SAFETY INSTRUCTIONS FOR NICKEL CADMIUM (NiCd) OR NICKEL METAL HYDRIDE (NiMH)

- **Do not incinerate the battery pack even if it is severely damaged or is completely worn out.** The battery pack can explode in a fire.
- **A small leakage of liquid from the battery pack cells may occur under extreme usage or temperature conditions.** This does not indicate a failure. However, if the outer seal is broken:
 - a. and the battery liquid gets on your skin, immediately wash with soap and water for several minutes.
 - b. and the battery liquid gets into your eyes, flush them with clean water for a minimum of 10 minutes and seek immediate medical attention. **(Medical note:** The liquid is 25-35% solution of potassium hydroxide.)

SPECIFIC SAFETY INSTRUCTIONS FOR LITHIUM ION (LI-ION)

- **Do not incinerate the battery pack even if it is severely damaged or is completely worn out.** The battery pack can explode in a fire. Toxic fumes and materials are created when lithium ion battery packs are burned.
 - **If battery contents come into contact with the skin, immediately wash area with mild soap and water.** If battery liquid gets into the eye, rinse water over the open eye for 15 minutes or until irritation ceases. If medical attention is needed, the battery electrolyte is composed of a mixture of liquid organic carbonates and lithium salts.
 - **Contents of opened battery cells may cause respiratory irritation.** Provide fresh air. If symptoms persists, seek medical attention.
- ⚠ **WARNING:** Burn hazard. Battery liquid may be flammable if exposed to spark or flame.

The RBRC™ Seal

The RBRC™ (Rechargeable Battery Recycling Corporation) Seal on the nickel cadmium, nickel metal hydride or lithium ion batteries (or battery packs) indicate that the costs to recycle these batteries (or battery packs) at the end of their useful life have already been paid by DEWALT. In some areas, it is illegal to place spent nickel cadmium, nickel metal hydride or lithium ion batteries in the trash or municipal solid waste stream and the RBRC™ program provides an environmentally conscious alternative.



RBRC™ in cooperation with DEWALT and other battery users, has established programs in the United States and Canada to facilitate the collection of spent nickel cadmium, nickel metal hydride or lithium ion batteries. Help protect our environment and conserve natural resources by returning the spent nickel cadmium and nickel cadmium, nickel metal hydride or lithium ion batteries to an authorized DEWALT service center or to your local retailer for recycling. You may also contact your local recycling center for information on where to drop off the spent battery. RBRC™ is a registered trademark of the Rechargeable Battery Recycling Corporation.

Important Safety Instructions for All Battery Chargers

SAVE THESE INSTRUCTIONS: This manual contains important safety and operating instructions for the DC012 charger/radio.

- Before using charger, read all instructions and cautionary markings on charger, battery pack, and product using battery pack.
- ⚠ **DANGER:** Electrocutation hazard. 120 volts are present at charging terminals. Do not probe with conductive objects. Electric shock or electrocution may result.
- ⚠ **WARNING:** Shock hazard. Do not allow any liquid to get inside charger. Electric shock may result.
- ⚠ **CAUTION:** Burn hazard. To reduce the risk of injury, charge only DEWALT rechargeable batteries. Other types of batteries may burst causing personal injury and damage.
- ⚠ **CAUTION:** Under certain conditions, with the charger plugged in to the power supply, the exposed charging contacts inside the charger can be shorted by foreign material. Foreign materials of a conductive nature such as, but not limited to, steel wool, aluminum foil, or any buildup of metallic particles should be kept away from charger cavities. Always unplug the charger from the power supply when there is no battery pack in the cavity. Unplug charger before attempting to clean.
- **DO NOT attempt to charge the battery pack with any chargers other than the ones in this manual.** The charger and battery pack are specifically designed to work together.
- **These chargers are not intended for any uses other than charging DEWALT rechargeable batteries.** Any other uses may result in risk of fire, electric shock or electrocution.
- **Do not expose charger to rain or snow.**
- **Pull by plug rather than cord when disconnecting charger.** This will reduce risk of damage to electric plug and cord.
- **Make sure that cord is located so that it will not be stepped on, tripped over, or otherwise subjected to damage or stress.**
- **Do not use an extension cord unless it is absolutely necessary.** Use of improper extension cord could result in risk of fire, electric shock, or electrocution.
- **An extension cord must have adequate wire size (AWG or American Wire Gauge) for safety.** The smaller the gauge number of the wire, the greater the capacity of the cable, that is 16 gauge has more capacity than 18 gauge. When using more than one extension to make up the total length, be sure each individual extension contains at least the minimum wire size.

Use of Extension Cords

Only use grounded extension cords that are rated for outdoor use and equipment with a third-wire ground.

When a long extension cord is used to connect a worklight/charger or tool to a generator, a voltage drop occurs. The longer the cord, the greater the voltage drop. This results in less voltage being supplied to the worklight/charger or tool and increases the amount of current (amp) draw or reduces performance. A heavier cord with a larger wire size will reduce the voltage drop. Be sure to choose a cord that will supply enough voltage to operate your tool or worklight/charger. The tables below indicate appropriate gauge for extension cords and the voltage drop caused by the use of extension cords, given different electrical loads.

⚠ **WARNING:** Keep electrical cords in good condition. Do not use worn, bare, or frayed cords because they can cause electrical shock.

⚠ **WARNING:** Operating equipment at low voltage can cause it to overheat. Using an excessively long extension cord can cause the cord to overheat.

Volts	Minimum gauge for Extension Cord Sets			
	Total Length of Cord in Feet			
120V	0-25	26-50	51-100	101-150
240V	0-50	51-100	101-200	201-300

Ampere Rating	AWG			
	16 AWG	14 AWG	12 AWG	10 AWG
0-10 (A)	16	16	14	14
10-13 (A)	16	16	14	12
13-16 (A)	14	14	12	12
16-25 (A)	12	12	12	10
25-30 (A)	10	10	10	Not Recommended

Extension Cord Length	Amp Load	Voltage Drop			
		16 AWG	14 AWG	12 AWG	10 AWG
25 Foot	10A	2.0	1.3	0.8	0.5
	15A	3.0	1.9	1.2	0.8
	20A	4.0	2.5	1.6	1.1
	30A	6.0	3.8	2.3	1.6

FIG 1

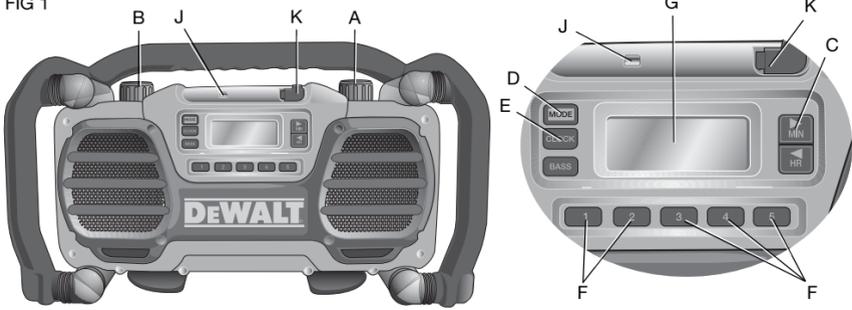
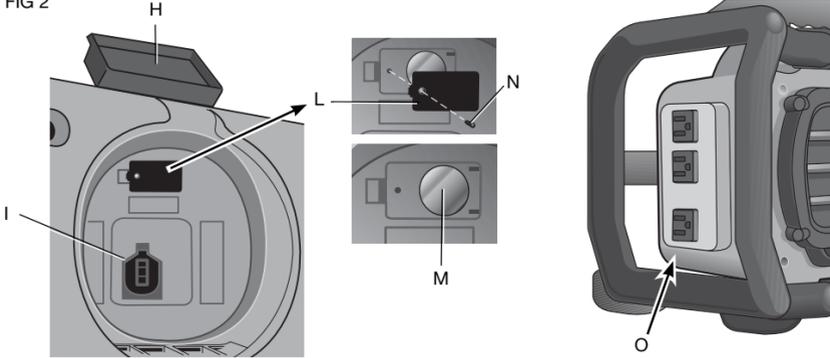


FIG 2



- c. Move the charger/radio and battery pack to a location where the surrounding air temperature is approximately 65°– 75°F (18°–24°C).
- d. If charging problems persist, take the tool, battery pack and charger/radio to your local service center.
4. The battery pack should be recharged when it fails to produce sufficient power on jobs which were easily done previously. DO NOT CONTINUE to use under these conditions. Follow the charging procedure. You may also charge a partially used pack whenever you desire with no adverse affect on the battery pack.
5. Under certain conditions, with the charger/radio plugged into the power supply, the exposed charging contacts inside the charger can be shorted by foreign material. Foreign materials of a conductive nature such as, but not limited to, steel wool, aluminum foil, or any buildup of metallic particles should be kept away from charger/radio cavities. Always keep the battery door closed when there is no battery pack in the cavity. Unplug charger/radio before attempting to clean.
6. Do not freeze or immerse the charger/radio in water or any other liquid.

⚠WARNING: Shock hazard. Don't allow any liquid to get inside the charger/radio. Electric shock may result.

⚠CAUTION: Never attempt to open the battery pack for any reason. If the plastic housing of the battery pack breaks or cracks, return to a service center for recycling.

COMPONENTS (FIG. 1, 2)

- | | |
|------------------------------|---------------------------|
| A. Power/Volume control | I. Charging receptacle |
| B. Tuning dial | J. Charging light |
| C. Arrow buttons | K. Auxiliary port |
| D. Mode button | L. Coin cell battery door |
| E. Clock button | M. Coin cell battery |
| F. Memory buttons | N. Battery door screw |
| G. LCD display | O. Outlets |
| H. Battery compartment latch | |

OPERATING THE RADIO (FIG. 1, 2)

Your charger/radio is equipped with memory capacity in order to store the time and your selected memory channels. When the radio is in the OFF position, this memory capacity is powered by one coin cell battery that is included with the charger/radio.

TO INSTALL COIN CELL BATTERY

⚠WARNING: Danger of explosion if battery is incorrectly replaced. When replacing battery, replace it with the same or equivalent type CR2032. Observe correct polarity (+ and -) when replacing batteries. Do not store or carry batteries so that metal objects can contact exposed battery terminals.

⚠DANGER: DO NOT INGEST BATTERY; CHEMICAL BURN HAZARD. This product contains a coin/button cell battery. If the coin/button cell battery is swallowed, it can cause severe internal burns in just 2 hours and can lead to death.

Keep new and used batteries away from children. If the battery compartment does not close securely, stop using the product and keep it away from children.

If you think batteries might have been swallowed or placed inside any part of the body, seek immediate medical attention.

⚠WARNING: To reduce the risk of serious personal injury, turn tool off and disconnect charger/radio from power source before installing/changing battery.

1. Open the battery compartment by lifting the battery compartment latch (H).
2. Turn the screw (N) on the battery door (L) counterclockwise to remove.
3. Press down on the battery door latch and pull to open.
4. Install the coin cell battery (M) according to the diagram inside the coin cell battery area.
5. Replace the battery door, insert the screw and tighten.
6. Securely close the battery compartment.

NOTE: To reset the LCD display, clock and pre-sets, remove the coin cell battery and re-install them. Follow this procedure if the screen seems to lock in place.

POWER/VOLUME ADJUSTMENT

1. To turn the radio on, turn the dial (A) clockwise until you hear a click.
2. Turn the dial (A) clockwise to increase the volume. To decrease the volume, turn counterclockwise.

MODE FUNCTION

To choose one of the mode functions (FM1, FM2, AM, or AUX) push the mode button (D) until the desired function is found. For example, if the radio is on FM1, seen in upper left portion of LCD display (G), push the mode button three times to change to AUX.

TUNE OR SEEK FUNCTION

There are two tuning methods and one seek method for finding the desired frequency.

To Tune:

Method 1: Push and hold down the right arrow button (C) to quickly move the tuner up the frequency band. Release the button when the desired channel is reached. To quickly move the tuner down the frequency band, push and hold down the left arrow button.

Method 2: Turn the tuning dial (B) clockwise to move up the frequency band. Turn the tuning dial counterclockwise to move down the frequency band.

To Seek:

Press the right arrow button (C) once and release. The tuner frequency will increase to seek the first radio station with acceptable clarity and stop at that station. The right arrow button may be pressed again to continue seeking a radio station at higher frequencies. The left arrow button may be pressed to seek radio stations at lower frequencies. The seek function is available in AM and FM modes.

TO PROGRAM THE CLOCK

1. Turn power on (see **Power/Volume Adjustment**).
2. Push and hold clock button (E) until the LCD display (G) begins flashing.
3. Press the appropriate arrow button (**HR** for hour; **MIN** for minute) to adjust the time.
 - NOTE:** If you do not press a button within 5 seconds, the clock programming feature will automatically return to the previous setting.
4. Once the time is set, push and hold the clock button until the time on the LCD display stops flashing.

TO PROGRAM THE MEMORY BUTTONS

Ten FM and five AM radio stations may be independently set. After programming the buttons, pressing 1, 2, 3, 4 or 5 will instantly change the frequency to the preset station.

1. Turn power on.
2. Set the radio to desired station (see **Tune or Seek Function**).
3. Press and hold one of the desired memory buttons (F). The station setting begins flashing in the LCD display (G). Continue to hold the button down until the flashing stops. The memory button is now set.
4. Repeat steps 2 and 3 to set the other memory buttons.

Important Radio Notes

1. The radio will run up to 8 hours on a single battery charge using an 18 volt battery. Using batteries of lower voltage will produce less run time.
2. Reception will vary depending on location and strength of radio signal.
3. Certain generators may cause background noise.
4. AM reception will most likely be clearer when powered by a battery pack.
5. To use the auxiliary port (K), plug the output jack from a CD or iPod®/MP3 player into the port (Fig. 1). The sound from the external source plays through the speakers of the DC012.

*iPod® is a registered trademark of Apple Inc.

MAINTENANCE

Service Notes

This product is not user serviceable. There are no user serviceable parts inside the charger/radio. Servicing at an authorized service center is required to avoid damage to static sensitive internal components.

Cleaning

⚠WARNING: Never use solvents or other harsh chemicals for cleaning the non-metallic parts of the charger/radio. These chemicals may weaken the materials used in these parts. Use a cloth dampened only with water and mild soap. Never let any liquid get inside the tool; never immerse any part of the tool into a liquid.

⚠CAUTION: NEVER spray or in any other way apply lubricants or cleaning solvents inside the tool. This can seriously affect the life and performance of the tool.

CHARGER/RADIO CLEANING INSTRUCTIONS

⚠WARNING: Disconnect the charger/radio from the AC outlet before cleaning. Dirt and grease may be removed from the exterior of the charger/radio using a cloth or soft non-metallic brush. Do not use water or any cleaning solutions.

Repairs

To assure product SAFETY and RELIABILITY, repairs, maintenance and adjustments (including brush inspection and replacement) should be performed by a DeWalt factory service center, a DeWalt authorized service center or other qualified service personnel. Always use identical replacement parts.

Three Year Limited Warranty

DeWalt will repair, without charge, any defects due to faulty materials or workmanship for three years from the date of purchase. This warranty does not cover part failure due to normal wear or tool abuse. For further detail of warranty coverage and warranty repair information, visit www.dewalt.com or call 1-800-4-DEWALT (1-800-433-9258). This warranty does not apply to accessories or damage caused where repairs have been made or attempted by others. This warranty gives you specific legal rights and you may have other rights which vary in certain states or provinces.

In addition to the warranty, DeWalt tools are covered by our:

1 YEAR FREE SERVICE

DeWalt will maintain the tool and replace worn parts caused by normal use, for free, any time during the first year after purchase.

Extension Cord Length	Amp Load	Voltage Drop			
		16 AWG	14 AWG	12 AWG	10 AWG
50 Foot	10A	4.0	2.5	1.6	1.1
	15A	6.0	3.8	2.3	1.6
	20A	8.0	5.0	3.1	2.1
	30A	12.0	7.5	4.7	3.2
100 Foot	10A	8.0	5.0	3.1	2.1
	15A	12.0	7.5	4.7	3.2
	20A	16.0	10.0	6.2	4.2
	30A	24.0	15.0	9.3	6.3
150 Foot	10A	12.0	7.5	4.7	3.2
	15A	18.0	11.3	7.0	4.7
	20A	24.0	15.0	9.3	6.3
	30A	36.0	22.5	14.0	9.5

- Do not place any object on top of charger/radio or place the charger/radio on a soft surface that might block the ventilation slots and result in excessive internal heat. Place the charger/radio in a position away from any heat source.
- Do not operate charger/radio with a damaged cord or plug — have them replaced immediately.
- Do not operate the charger/radio if it has received a sharp blow, been dropped, or otherwise damaged in any way. Take it to an authorized service center.
- Do not disassemble charger/radio. Take it to an authorized service center when service or repair is required. Incorrect reassembly may result in a risk of electric shock, electrocution or fire.
- Disconnect the charger/radio from the outlet before attempting any cleaning. This will reduce the risk of electric shock. Removing the battery pack will not reduce this risk.
- NEVER attempt to connect 2 charger/radios together.
- This charger/radio is designed to operate on 120 Volts, 60 Hz AC. It also operates on DEWALT battery packs. Do not use any other voltage.

SAVE THESE INSTRUCTIONS

Charger/Radio

The DC012 will charge 7.2–18 Volt DEWALT battery packs and will play using 12–18 Volt DEWALT battery packs. Your battery may also be charged in DEWALT 1-hour chargers, 15-minute chargers or vehicular 12-volt charger. Be sure to read all safety instructions before using your charger. Consult the chart in this manual for compatibility of chargers and battery packs.

Charging Procedure (Fig. 1)

⚠DANGER: Electrocutation hazard. 120 volts present at charging terminals. Do not probe with conductive objects. Danger of electric shock or electrocution. Keep battery door closed and latched at all times

1. Plug the charger/radio into an appropriate AC power outlet or generator.
2. Insert the battery pack into the charging receptacle (I). Make sure the pack is fully seated in the charger/radio, close the rear door and fasten the latch (H).
3. The red light on the front of the radio (J) will blink continuously indicating that the charging process has started.
4. The completion of charge will be indicated by the red light remaining ON continuously.

Indicator Light Operation



Charge Indicators

The charger/radio is designed to detect certain problems that can arise with battery packs. Problems are indicated by the red light flashing at a fast rate. If this occurs, re-insert battery pack into the charger/radio. If the problem persists, try a different battery pack to determine if the charger/radio is OK. If the new pack charges correctly, then the original pack is defective and should be returned to a service center or other collection site for recycling. If the new battery pack elicits the same trouble indication as the original, have the charger/radio tested at an authorized service center.

HOT/COLD PACK DELAY

The charger/radio has a Hot/Cold Pack Delay feature: when the charger/radio detects a battery that is hot, it automatically starts a Hot Pack Delay, suspending charging until the battery has cooled. After the battery has cooled, the charger/radio automatically switches to the Pack Charging mode. This feature ensures maximum battery life. The red light flashes long, then short while in the Hot Pack Delay mode.

PROBLEM POWER LINE

The charger/radio has a Problem Power Line indicator. When the charger/radio is used with some portable power sources such as generators or sources that convert DC to AC, the charger/radio may temporarily suspend operation, flashing the red light with two fast blinks followed by a pause. This indicates the power source is out of limits.

LEAVING THE BATTERY PACK IN THE CHARGER/RADIO

The charger/radio and battery pack can be left connected with the red light glowing indefinitely. The charger/radio will keep the battery pack fresh and fully charged.

NOTE: A battery pack will slowly lose its charge when kept out of the charger/radio. If the battery pack has not been kept on maintenance charge, it may need to be recharged before use. A battery pack may also slowly lose its charge if left in a charger/radio that is not plugged into an appropriate AC source.

WEAK BATTERY PACKS: The charger/radio can also detect a weak battery. Such batteries are still usable but should not be expected to perform as much work. In such cases, about 10 seconds after battery insertion, the charger/radio will beep rapidly 8 times to indicate a weak battery condition. The charger/radio will then go on to charge the battery to the highest capacity possible.

Important Charging Notes

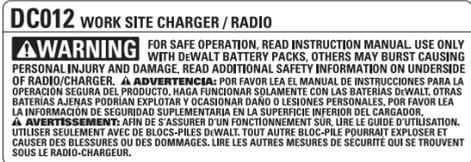
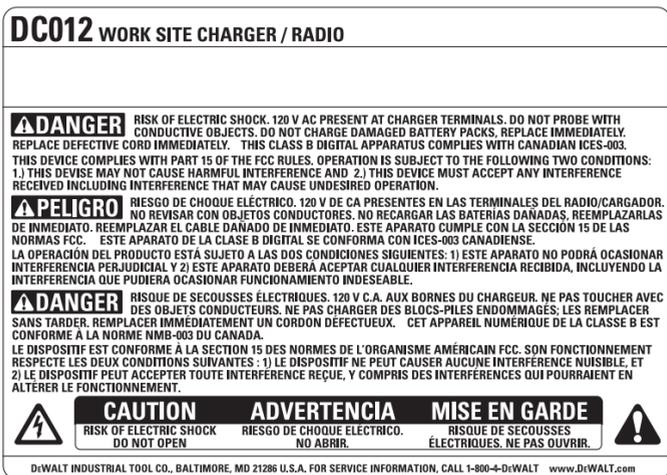
1. Longest life and best performance can be obtained if the battery pack is charged when the air temperature is between 65°F and 75°F (18°– 24°C). DO NOT charge the battery pack in an air temperature below +40°F (+4.5°C), or above +105°F (+40.5°C). This is important and will prevent serious damage to the battery pack.
2. The charger/radio and battery pack may become warm to touch while charging. This is a normal condition, and does not indicate a problem. To facilitate the cooling of the battery pack after use, avoid placing the charger/radio or battery pack in a warm environment such as in a metal shed, or an uninsulated trailer.
3. If the battery pack does not charge properly:
 - a. Check current at receptacle by plugging in a lamp or other appliance.
 - b. Check to see if receptacle is connected to a light switch which turns power off when you turn out the lights.

90 DAY MONEY BACK GUARANTEE

If you are not completely satisfied with the performance of your DEWALT Power Tool, Laser, or Nailer for any reason, you can return it within 90 days from the date of purchase with a receipt for a full refund – no questions asked.

LATIN AMERICA: This warranty does not apply to products sold in Latin America. For products sold in Latin America, see country specific warranty information contained either in the packaging, call the local company or see website for warranty information.

FREE WARNING LABEL REPLACEMENT: If your warning labels become illegible or are missing, call 1-800-4-DEWALT for a free replacement.



Définitions : lignes directrices en matière de sécurité

Les définitions ci-dessous décrivent le niveau de danger pour chaque mot-indicateur employé. Veuillez lire le mode d'emploi et porter une attention particulière à ces symboles.

DANGER : indique une situation dangereuse imminente qui, si elle n'est pas évitée, causera la mort ou des blessures graves.

AVERTISSEMENT : indique une situation potentiellement dangereuse qui, si elle n'est pas évitée, pourrait se solder par un décès ou des blessures graves.

ATTENTION : indique une situation potentiellement dangereuse qui, si elle n'est pas évitée pourrait se solder par des blessures mineures ou modérées.

AVIS : indique une pratique ne posant aucun risque de dommages corporels mais qui, par contre, si rien n'est fait pour l'éviter, pourrait poser des risques de dommages matériels.

POUR TOUT COMMENTAIRE, OU QUESTION, RELATIF À CET OUTIL OU TOUT AUTRE OUTIL DEWALT, COMPOSEZ GRATUITEMENT LE : **1-800-4-DEWALT (1-800-433-9258)**

Chargeur/Radio industriel de chantier DC012

Le chargeur/radio industriel de chantier DC012 est une combinaison radio AM/FM et chargeur DEWALT. Le DC012 recharge la plupart des piles NiCd, NiMH et Li-Ion DEWALT de 7,2 à 18,0 volts, à l'exception des piles Univolt. Les piles sont vendues séparément.

Consignes de sécurité importantes

- Lire ces directives.
- Conserver ces directives.
- Respecter tous les avertissements.
- Suivre toutes les directives.
- Ne pas utiliser cet appareil à proximité d'eau.
- N'utiliser qu'un chiffon sec pour le nettoyage.
- Ne bloquer aucun orifice d'aération. Installer conformément aux directives du fabricant.
- Ne pas installer à proximité de sources de chaleur, tels radiateurs, registres de chaleur, cuisinières ou tout autre appareil (y compris les amplificateurs).
- Ne pas annihiler le but sécuritaire de la fiche polarisée ou mise à la terre. Une fiche polarisée possède deux lames dont l'une est plus large que l'autre. Une fiche mise à la terre possède deux lames et une troisième broche mise à la terre. La large lame ou la troisième broche ont été installée pour assurer votre sécurité. Si la fiche fournie de rentre pas dans la prise utilisée, consulter un électricien pour faire changer cette prise désuète.
- Protéger le cordon d'alimentation contre tout piétinement ou constriction particulièrement au niveau des fiches, des prises, et au point de sortie des appareils.
- Utiliser exclusivement des accessoires recommandés par le fabricant.
- Ne poser le radio que sur une surface plane et stable.
- Débrancher l'appareil pendant les orages, ou lorsqu'il restera inutilisé pendant une période prolongée.
- Confier l'entretien de l'appareil aux soins d'un personnel qualifié. Faire systématiquement entretenir l'appareil en cas de dommages quelconques, tels que : le cordon électrique, ou une fiche, a été endommagé, un liquide ou un objet a pénétré dans l'appareil, l'appareil a été exposé à la pluie ou à l'humidité, il ne fonctionne pas normalement ou il a fait une chute.
- Protéger l'appareil de tout liquide, ou éclaboussure, et ne disposer aucun objet rempli d'un liquide, (un vase par exemple) sur l'appareil.



DANGER Le symbole de l'éclair avec une flèche au sein d'un triangle a pour but de prévenir l'utilisateur que certaines pièces au sein du produit posent des risques de chocs électriques pour l'individu.

ATTENTION Le point d'exclamation au sein d'un triangle a pour but de prévenir l'utilisateur que des instructions importantes d'utilisation et d'entretien sont incluses dans les documents propres à l'appareil.

Cet appareil numérique de Classe B est conforme aux normes canadiennes ICES-003.

REMARQUE : cet équipement a été testé et jugé conforme aux limites propres aux appareils numériques de Classe B, conformément au Paragraphe 15 du règlement du FCC. Ces limites sont destinées à offrir une protection raisonnable contre les interférences nuisibles d'une installation résidentielle. Cet équipement produit, utilise et peut émaner des ondes radiofréquences et, s'il n'est pas installé et utilisé conformément aux directives du fabricant, peut causer des interférences nuisibles aux communications radio. En fonction des installations réalisées, il n'est cependant pas garanti que toute interférence soit exclue. Si cet équipement cause des interférences nuisibles à toute réception radio ou télévision, ce qui peut être déterminé en allumant et éteignant l'équipement, l'utilisateur est encouragé à tenter de corriger ces interférences en prenant l'une ou plusieurs des mesures suivantes :

- Réorienter l'antenne de réception ou en changer l'emplacement ;
- Augmenter la distance entre l'équipement et le récepteur ;
- Brancher l'équipement à une prise située sur un circuit différent de celui sur lequel le récepteur est connecté ;
- Contacter le détaillant ou consulter un technicien radio/télé qualifié.

AVIS : conformément à la norme du FCC, Part 15, tout changement ou modification apporté à cet équipement, non approuvé expressément par DEWALT, peut annuler tout droit d'utilisation de cet équipement.

AVERTISSEMENT : pour réduire tout risque d'incendie ou de chocs électriques, protéger cet appareil contre la pluie ou l'humidité. Ne l'utiliser que dans des endroits secs.

ATTENTION : pour prévenir tout choc électrique, aligner la large lame de la fiche avec la large fente de la prise, et insérer à fond.

L'étiquette apposée sur votre outil peut inclure les symboles suivants. Les symboles et leur définition sont indiqués ci-après :

V..... volts	Aampères
Hz..... hertz	W watts
min minutes	~courant alternatif
== courant continu	≈courant alternatif ou continu
Ⓢ Fabrication Classe I (mis à la terre)	∅vitesse à vide
Ⓣ Fabrication Classe II (double isolation)	⊕borne de terre
.../min..... par minute	⚠.....symbole d'avertissement
⚡..... symbole de choc électrique	BPM.....battements par minute
	RPM.....tours par minute (R/MIN)

Consignes de sécurité importantes propres à tous les blocs-piles

Pour commander un bloc-piles de recharge, s'assurer d'inclure son numéro de catalogue et sa tension. Consulter le tableau en dernière page de ce manuel pour connaître les compatibilités entre chargeurs et blocs-piles.

Le bloc-piles n'est pas totalement chargé d'usine. Avant d'utiliser le bloc-piles et le chargeur, lire les consignes de sécurité ci-dessous. Puis suivre la procédure de charge indiquée.

LIRE TOUTES LES CONSIGNES

- Ne pas recharger ou utiliser un bloc-piles en milieu déflagrant, en présence, par exemple, de poussières, gaz ou liquides inflammables. Le fait d'insérer ou retirer un bloc-piles de son chargeur pourrait causer l'inflammation de poussières ou d'émanations.
- NE JAMAIS forcer l'insertion d'un bloc-piles dans un chargeur. NE modifier un bloc-piles d'aucune façon pour le faire rentrer dans un chargeur incompatible, car il pourrait se briser et causer des dommages corporels graves. Consulter le tableau en dernière page de ce manuel pour connaître les compatibilités entre chargeurs et blocs-piles.
- Recharger les blocs-piles exclusivement dans des chargeurs DEWALT.
- NE PAS éclabousser le bloc-piles ou l'immerger dans l'eau ou dans tout autre liquide.
- Ne pas entreposer ou utiliser l'appareil et le bloc-piles en présence de températures ambiantes pouvant excéder 40 °C (105 °F) (comme dans des hangars ou des bâtiments métalliques l'été).

DANGER : risques d'électrocution. Ne jamais tenter d'ouvrir le bloc-piles pour quelque raison que ce soit. Si le boîtier du bloc-piles est fissuré ou endommagé, ne pas l'insérer dans un chargeur. Ne pas écraser, laisser tomber, ou endommager les blocs-piles. Ne pas utiliser un bloc-piles ou un chargeur qui a reçu un choc violent, ou si l'appareil est tombé, a été écrasé ou endommagé de quelque façon que ce soit (p. ex. percé par un clou, frappé d'un coup de marteau, piétiné). Il y a des risques de chocs électriques ou d'électrocution. Les blocs-piles endommagés doivent être renvoyés à un centre de réparation pour y être recyclés.

REMARQUE : un boîtier spécial et des capuchons sont fournis avec le bloc-piles pour le ranger après utilisation ou chargement. Retirer le capuchon avant de réinsérer la pile sur le chargeur ou l'outil.

AVERTISSEMENT : risques d'incendie. Au moment de ranger ou transporter le bloc-piles, s'assurer qu'aucun objet métallique n'entre en contact avec les bornes à découvert du bloc-piles. Par exemple, éviter de placer un bloc-piles sans capuchon dans un tablier, une poche, une boîte à outils ou un tiroir, etc., contenant des objets tels que des clous, des vis ou des clés. Le fait de transporter des bloc-piles comporte des risques d'incendie car les bornes des piles pourraient entrer, par inadvertance, en contact avec des objets conducteurs, tels que : clés, pièces de monnaie, outils ou autres. La réglementation sur les produits dangereux (Hazardous Material Regulations) du département américain des transports interdit, en fait, le transport des piles pour le commerce ou dans les avions (ex : dans les bagages enregistrés ou à main). À MOINS qu'elles ne soient correctement protégées contre tout court-circuit. Aussi lors du transport individuel de piles, s'assurer que leurs bornes sont bien protégées et isolées de tout matériau pouvant entrer en contact avec elles et provoquer un court-circuit.



CONSIGNES DE SÉCURITÉ PROPRES AUX PILES DE NICKEL-CADMIUM (NiCd) OU À L'HYDRURE MÉTALLIQUE DE NICKEL (NiMH)

- Ne pas incinérer le bloc-piles même s'il est sévèrement endommagé ou complètement usagé, car il pourrait exploser et causer un incendie.
- De légères fuites de liquide peuvent se produire au niveau des cellules du bloc-piles en cas d'utilisation ou de conditions de températures extrêmes. Cela ne représente en aucun cas une défaillance du produit.

Toutefois, si le joint d'étanchéité extérieur est endommagé :

- et que son liquide entre en contact avec la peau, rincer immédiatement à l'eau savonneuse pendant quelques minutes.
- et que son liquide entre en contact avec les yeux, les rincer aussitôt à l'eau claire pendant au moins une dizaine de minutes puis consulter immédiatement un médecin. (**Note médicale** : Le liquide est composé d'une solution comprenant 25 à 35% d'hydroxyde de potassium.)

CONSIGNES DE SÉCURITÉ PROPRES AUX PILES AU LITHIUM-ION (LI-ION)

- Ne pas incinérer le bloc-piles même s'il est sévèrement endommagé ou complètement usagé, car il pourrait exploser et causer un incendie. Pendant l'incinération des blocs-piles au lithium-ion, des vapeurs et matières toxiques sont dégagées.
- En cas de contact du liquide de la pile avec la peau, rincer immédiatement au savon doux et à l'eau. En cas de contact oculaire, rincer l'œil ouvert à l'eau claire une quinzaine de minutes ou jusqu'à ce que l'irritation cesse. Si des soins médicaux s'avéraient nécessaires, noter que l'électrolyte de la pile est composé d'un mélange de carbonates organiques liquides et de sels de lithium.
- Le contenu des cellules d'une pile ouverte peut causer une irritation respiratoire. En cas d'inhalation, exposer l'individu à l'air libre. Si les symptômes persistent, consulter un médecin.

AVERTISSEMENT : risques de brûlure. Le liquide de la pile peut s'enflammer s'il est exposé à des étincelles ou à une flamme.

Le sceau SRPRC^{MC}

Le sceau SRPRC^{MC} (Société de recyclage des piles rechargeables au Canada) apposé sur la pile au nickel-cadmium, à hydrure métallique de nickel ou au lithium-ion (ou le bloc-piles) indique que les coûts de recyclage de ces derniers en fin d'utilisation, ont déjà été réglés par DEWALT. Dans certaines régions, la mise au rebut ou aux ordures municipales des piles au nickel-cadmium, à l'hydrure métallique d'catche nickel ou au lithium-ion, est illégale ; le programme de SRPRC^{MC} constitue donc une solution pratique et écologique.



La SRPRC^{MC}, en collaboration avec DEWALT et d'autres utilisateurs de piles, a mis sur pied des programmes aux États-Unis et au Canada pour faciliter la collecte des piles au nickel-cadmium, à hydrure métallique de nickel ou au lithium-ion usagées. Aidez-nous à protéger l'environnement et à conserver nos ressources naturelles en renvoyant les piles au nickel-cadmium, à hydrure métallique de nickel ou au lithium-ion usagées à un centre de réparation autorisé DEWALT ou chez votre détaillant afin qu'elles y soient recyclées. On peut en outre se renseigner auprès d'un centre de recyclage local pour connaître d'autres sites les acceptant.

SRPRC^{MC} est une marque déposée de la Société de recyclage des piles rechargeables au Canada.

Directives de sécurité importantes propres à tous les chargeurs de piles

CONSERVER CES INSTRUCTIONS : ce manuel contient des consignes de sécurité et d'utilisation importantes propres au chargeur/radio DC012.

- Avant d'utiliser le chargeur, lire toute consigne et tout avertissement apposés sur le chargeur, le bloc-piles et le produit utilisant le bloc-piles.

DANGER : risques d'électrocution. Une tension de 120 volts passe dans les bornes de charge. Ne pas mettre en contact avec des objets conducteurs. Il y a des risques de chocs électriques ou d'électrocution.

AVERTISSEMENT : risques de chocs électriques. Ne laisser aucun liquide pénétrer dans le chargeur. Des chocs électriques pourraient en résulter.

ATTENTION : risques de brûlure. Pour réduire tout risque de dommages corporels, ne recharger que des piles rechargeables DEWALT. Tout autre type de piles pourrait exploser et causer des dommages corporels et matériels.

ATTENTION : sous certaines conditions, lorsque le chargeur est connecté au bloc d'alimentation, les contacts de charge exposés à l'intérieur du chargeur peuvent être court-circuités par des corps étrangers. Les corps étrangers conducteurs tels que (mais pas limité à) paille de fer, feuilles d'aluminium, ou toute accumulation de particules métalliques doivent être maintenus à distance des orifices du chargeur. Débrancher systématiquement le chargeur lorsque le bloc-piles n'y est pas inséré. Débrancher systématiquement le chargeur avant tout entretien.

- NE PAS tenter de charger de bloc-piles avec des chargeurs autres que ceux décrits dans ce manuel. Le chargeur et son bloc-piles ont été conçus tout spécialement pour fonctionner ensemble.
- Ces chargeurs n'ont pas été conçus pour une utilisation autre que recharger les blocs-piles rechargeables DEWALT. Toute autre utilisation comporte des risques d'incendie, de chocs électriques ou d'électrocution.
- Protéger le chargeur de la pluie ou de la neige.
- Tirer sur la fiche plutôt que sur le cordon pour débrancher le chargeur. Cela permet de réduire les risques d'endommager la fiche ou le cordon d'alimentation.
- S'assurer que le cordon est protégé de manière à ce que personne ne marche ni ne trébuché dessus, ou à ce qu'il ne soit ni endommagé ni soumis à aucune tension.
- N'utiliser une rallonge qu'en cas de nécessité absolue. L'utilisation d'une rallonge inadéquate comporte des risques d'incendie, de chocs électriques ou d'électrocution.
- Pour la sécurité de l'utilisateur, utiliser une rallonge de calibre adéquat (AWG, American Wire Gauge [calibrage américain normalisé des fils électriques]). Plus le calibre est petit, et plus sa capacité est grande. Un calibre 16, par exemple, a une capacité supérieure à un calibre 18. Si plus d'une rallonge est utilisée pour obtenir une certaine longueur, s'assurer que chaque rallonge présente au moins le calibre de fil minimum.

Rallonges

Utiliser exclusivement des rallonges mises à la terre et homologuées pour l'extérieur et un équipement muni d'un troisième fil de terre.

Lorsqu'une rallonge longue est utilisée pour connecter une lampe de travail, un chargeur ou un outil à un générateur, il se produit une chute de tension. Plus la rallonge est longue, plus la chute est importante. Cela a pour résultat une chute de la tension alimentant la lampe de travail, le chargeur ou l'outil, et l'augmentation de la quantité de courant (amp) utilisée, ou une baisse des performances. Une rallonge de calibre supérieur réduira la chute de tension. S'assurer de choisir une rallonge fournissant une tension suffisante pour l'utilisation de l'outil, le chargeur ou la lampe de travail. Le tableau ci-dessous indique les calibres de tension appropriés pour les rallonges et la chute de tension causée par leur utilisation, en tenant compte de la charge électrique.

AVERTISSEMENT : prendre soin des rallonges. Pour réduire tout risque de chocs électriques, ne pas utiliser de rallonges usées, dénudées ou abîmées.

AVERTISSEMENT : l'utilisation d'un matériel sur basse tension peut causer sa surchauffe. L'utilisation d'une rallonge excessivement longue peut aussi causer sa surchauffe.

CALIBRES MINIMAUX DES RALLONGES

Volts	Longueur totale de cordon en pieds			
120V	0–25	26–50	51–100	101–150
240V	0–50	51–100	101–200	201–300

Intensité (en ampères)	AWG			
0–10 (A)	16	16	14	14
10–13 (A)	16	16	14	12
13–16 (A)	14	14	12	12
16–25 (A)	12	12	12	10
25–30 (A)	10	10	10	Non recommandé

Rallonge Cordon Longueur	Amp Charge	Chute de tension			
		16 AWG	14 AWG	12 AWG	10 AWG
25 Pied	10A	2,0	1,3	0,8	0,5
	15A	3,0	1,9	1,2	0,8
	20A	4,0	2,5	1,6	1,1
	30A	6,0	3,8	2,3	1,6
50 Pied	10A	4,0	2,5	1,6	1,1
	15A	6,0	3,8	2,3	1,6
	20A	8,0	5,0	3,1	2,1
	30A	12,0	7,5	4,7	3,2
100 Pied	10A	8,0	5,0	3,1	2,1
	15A	12,0	7,5	4,7	3,2
	20A	16,0	10,0	6,2	4,2
	30A	24,0	15,0	9,3	6,3
150 Pied	10A	12,0	7,5	4,7	3,2
	15A	18,0	11,3	7,0	4,7
	20A	24,0	15,0	9,3	6,3
	30A	36,0	22,5	14,0	9,5

- Ne poser aucun objet sur le chargeur/radio. Ne pas mettre le chargeur/radio sur une surface molle qui pourrait en bloquer la ventilation et provoquer une surchauffe interne. Éloigner le chargeur/radio de toute source de chaleur.**
- Ne pas utiliser le chargeur/radio avec un cordon ou une fiche endommagé ; les faire changer immédiatement.**
- Ne pas utiliser le chargeur/radio s’il a reçu un coup, fait une chute ou a été endommagé de quelque façon que ce soit.** Le ramener dans un centre de réparation agréé.
- Ne pas démonter le chargeur/radio. Pour tout service ou réparation, le rapporter dans un centre de réparation agréé.** Le fait de le réassembler de façon incorrecte comporte des risques de chocs électriques, d'électrocution et d'incendie.
- Débrancher le chargeur/radio du secteur avant tout entretien. Cela réduira tout risque de chocs électriques.** Le fait de retirer le bloc-piles ne réduira pas ces risques.
- NE JAMAIS** tenter de connecter 2 chargeurs/radios ensemble.
- Ce chargeur/radio a été conçu pour fonctionner sur CA, 120 volts et 60 Hz. Il fonctionne également sur blocs-piles DEWALT.** N'utiliser aucune autre tension.

CONSERVER CES CONSIGNES

Chargeur/Radio

Le DC012 rechargera des blocs-piles DEWALT de 7,2 à 18 volts et fonctionnera en tant que radio avec des blocs-piles DEWALT de 12 à 18 volts. Les piles peuvent être rechargées dans les chargeurs d'une heure DEWALT, les chargeurs de 15 minutes ou les chargeurs pour véhicules de 12 volts. S'assurer de bien lire toutes les directives de sécurité avant toute utilisation du chargeur. Consulter le tableau contenu dans ce manuel pour connaître les compatibilités entre chargeurs et blocs-piles.

Procédure de charge (Fig. 1)

⚠ DANGER : risques d'électrocution. Tension de 120 volts aux bornes de charge. Ne pas mettre en contact avec des objets conducteurs. Il y a danger de chocs électriques ou d'électrocution. Maintenir constamment le volet de fermeture fermé et verrouillé.

- Branchez le chargeur/radio dans la prise appropriée CA ou le générateur.
- Insérez le bloc-piles dans le réceptacle du chargeur (I). Assurez-vous que le bloc-piles est inséré à fond dans le chargeur/radio. Refermez le clapet et verrouillez le système de verrouillage (H).
- Le voyant rouge à l'avant de la radio (J) clignotera de façon continue indiquant que le cycle de charge a commencé.
- En fin de charge, le voyant rouge restera ALLUMÉ de façon continue.

Fonctionnement des voyants

CHARGEMENT DU BLOC-PILES.....	
CHARGÉ À BLOC.....	
RETAРDEMENT BLOC-PILES CHAUD/FROID.....	
REPLACER LE BLOC-PILES...	
SOURCE D'ALIMENTATION INADÉQUATE.....	

Voyants de charge

Ce chargeur/radio a été conçu pour détecter certains problèmes pouvant survenir aux blocs-piles. Un voyant rouge clignotant rapidement indique qu'il y a un problème. Dans cette éventualité, réinsérez le bloc-piles dans le chargeur/radio. Si le problème persiste, essayez un autre bloc-piles pour déterminer si le chargeur/radio fonctionne. Si le nouveau bloc-piles se recharge correctement, le bloc-piles initial est endommagé et doit être retourné dans un centre de réparation ou tout autre site de récupération pour y être recyclé. Si l'on obtient le même résultat avec le nouveau bloc-piles, faites vérifier le chargeur /radio dans un centre de réparation agréé.

FONCTION DE SUSPENSION DU BLOC-PILES CHAUD/FROID

Certains chargeurs/radios sont équipés d'une fonction de suspension du bloc-piles chaud/froid : lorsque le chargeur/radio détecte un bloc-piles chaud, il démarre automatiquement la fonction de suspension du bloc-piles chaud, en suspendant le chargement jusqu'au refroidissement de ce dernier. Une fois la pile refroidie, le chargeur/radio se met automatiquement en mode de chargement. Cette caractéristique assure aux piles une durée de vie maximale. Le voyant rouge clignote longuement, puis rapidement en mode de suspension de bloc-piles chaud.

PROBLÈMES AVEC LE SECTEUR

Le chargeur/radio possède un voyant signalant tout problème de secteur. Lorsque le chargeur /radio est utilisé avec des blocs d'alimentation portatifs comme les génératrices ou des alternateurs, il peut arriver qu'il s'arrête de fonctionner temporairement, **auquel cas un voyant rouge émet deux clignotements rapides suivis d'une pause.** Cela indique que le bloc d'alimentation est hors tolérance.

BLOC-PILES LAISSÉ DANS LE CHARGEUR/RADIO

Le chargeur/radio et son bloc-piles peuvent rester connectés, le voyant rouge demeurant indéfiniment allumé. Le chargeur/radio maintiendra le bloc-piles sain et pleinement chargé.

REMARQUE : un bloc-piles perdra lentement sa charge une fois retiré du chargeur/radio. Si le bloc-piles n'a pas été maintenu chargé (charge d'entretien), il pourra être nécessaire de le recharger avant utilisation. Un bloc-piles peut aussi perdre sa charge lentement s'il est laissé sur un chargeur /radio qui n'est pas branché dans la source de courant alternatif appropriée.

BLOCS-PILES FAIBLES : le chargeur/radio peut aussi détecter les piles faibles. Ces piles sont encore utilisables, mais il faut s'attendre à un rendement moindre. Dans ce cas, 10 minutes après l'insertion de l'une de ces piles, le chargeur/radio bipera rapidement 8 fois pour indiquer que la pile est faible. Le chargeur /radio se mettra ensuite à recharger la pile à sa capacité maximale.

Remarques importantes concernant le chargement

- Pour augmenter la durée de vie du bloc-piles et optimiser son rendement, le recharger à une température ambiante de 18 ° à 24 °C (65 °F à 75 °F). NE PAS recharger le bloc-piles à une température inférieure à +4,5 °C (+40 °F) ou supérieure à +40,5 °C (+105 °F). C'est important pour prévenir tout dommage sérieux au bloc-piles.
- Le chargeur/radio et son bloc-piles peuvent devenir chauds au toucher pendant la charge. C'est normal et ne représente en aucun cas une défaillance du produit. Pour faciliter le refroidissement du bloc-piles après utilisation, éviter de laisser le chargeur/radio ou le bloc-piles dans un local où la température ambiante est élevée, comme dans un hangar métallique ou une remorque non isolée.
- Si le bloc-piles ne se recharge pas correctement :
 - Vérifier le courant à la prise en y branchant une lampe ou tout autre appareil électrique.
 - Vérifier que la prise n'est pas contrôlée par un interrupteur qui coupe le courant lorsqu'on éteint les lumières.
 - Déplacer le chargeur et le bloc-piles dans un local où la température ambiante se trouve environ entre 18 ° et 24 °C (65 °F et 75 °F).
 - Si le problème persiste, apporter l'outil, le bloc-piles et son chargeur /radio dans un centre local de réparation.
- Recharger le bloc-piles lorsqu'il ne produit plus assez de puissance pour effectuer un travail qu'il faisait facilement auparavant. NE PAS CONTINUER à l'utiliser dans ces conditions. Suivre la procédure de charge. Si nécessaire, il est aussi possible de recharger un bloc-piles partiellement déchargé sans effet nuisible sur le bloc-piles.

5. Sous certaines conditions, lorsque le chargeur/radio est branché au bloc d'alimentation, les contacts de charge exposés à l'intérieur du chargeur peuvent être court-circuités par des corps étrangers. Les corps étrangers conducteurs tels que (mais pas limité à) paille de fer, feuilles d'aluminium, ou toute accumulation de particules métalliques doivent être maintenus à distance des orifices du chargeur/radio. Maintenir systématiquement le volet de fermeture fermé lorsqu'aucun bloc-piles n'y est inséré. Débrancher systématiquement le chargeur/radio avant tout entretien.

6. Ne pas congeler ou immerger le chargeur/radio dans l'eau ou tout autre liquide.

⚠ AVERTISSEMENT : risques de chocs électriques. Ne laisser aucun liquide pénétrer dans le chargeur/radio, des chocs électriques pourraient en résulter.

⚠ ATTENTION : ne jamais tenter d'ouvrir le bloc-piles pour quelque raison que ce soit. Si le boîtier plastique du bloc-piles est brisé ou fissuré, le retourner dans un centre de réparation pour y être recyclé.

DESCRIPTION (FIG. 1, 2)

- | | |
|--------------------------------|---|
| A. Bouton de puissance/volume | I. Réceptacle de chargement |
| B. Sélecteur de station | J. Voyant de chargement |
| C. Boutons flèche | K. Port auxiliaire |
| D. Sélecteur de mode | L. Volet de fermeture de la pile bouton |
| E. Bouton de réglage horaire | M. Pile bouton |
| F. Boutons mémoire | N. Vis du volet de fermeture de la pile |
| G. Affichage LCD | O. Prises |
| H. Verrou du boîtier des piles | |

UTILISATION DE LA RADIO (FIG. 1, 2)

Votre chargeur/radio est équipé d'une capacité mémoire pour sauvegarder l'heure et vos stations préférées. Lorsque la radio est à l'ARRÊT, sa mémoire est alimentée par une pile bouton qui est incluse avec le chargeur/radio.

POUR INSTALLER UNE PILE BOUTON

⚠ AVERTISSEMENT : si la pile installée est incorrecte, il y aURA danger d'explosion. Pour changer de pile, la remplacer par une pile similaire cr2032 ou équivalente. Pour remplacer la pile, respecter la polarité (+ et −). Au moment d'entreposer ou transporter les piles, s'assurer qu'aucun objet métallique n'entre en contact avec leurs bornes à découvert.

⚠ DANGER : NE PAS INGÉRER LA PILE; DANGER DE BRÛLURE CHIMIQUE. Ce produit contient une pile plate qui, si en cas d'ingestion, peut causer de graves brûlures internes en seulement 2 heures et entraîner la mort.

Conservez les piles neuves et usagées hors de portée des enfants. Si le compartiment de la pile ne ferme pas complètement, cessez d'utiliser le produit et conservez-le hors de portée des enfants.

Si vous pensez que des piles ont pu être avalées ou placées à l'intérieur d'une partie quelconque du corps, consultez immédiatement un médecin.

⚠ AVERTISSEMENT : pour réduire tout risque de dommages corporels graves, arrêter et débrancher le chargeur/radio du secteur avant d'installer/changer la pile.

- Ouvrez le boîtier des piles en soulevant le verrou du boîtier des piles (H).
- Tournez la vis (N) sur le volet de fermeture (L) vers la gauche pour la retirer.
- Appuyez sur le verrou du volet de fermeture puis tirez pour ouvrir.
- Installez la pile bouton (M) en suivant le diagramme à l'intérieur de son réceptacle.
- Réinstallez le volet de fermeture puis réinsérez la vis et revissez-la.
- Refermez soigneusement le boîtier des piles.

REMARQUE : pour réinitialiser l'affichage LCD, l'horloge et les préréglages, retirer la pile bouton puis la réinstaller. Suivez cette procédure si l'écran semble figé sur place.

RÉGLAGE DE LA PUISSANCE/DU VOLUME

- Pour allumer la radio, tournez le bouton (A) vers la droite jusqu'à ce qu'un dé clic se fasse entendre.
- Tournez le bouton (A) vers la droite pour augmenter le volume. Pour baisser le volume, tournez vers la gauche.

MODE DE FONCTIONNEMENT

Pour choisir l'un des modes de fonctionnement (FM1, FM2, AM ou AUX), appuyez sur le sélecteur de mode (D) jusqu'à ce que vous trouviez le mode désiré. Par exemple, si la radio est sur FM1, affiché dans la partie supérieure gauche de l'affichage LCD (G), appuyez trois fois sur le sélecteur de mode pour passer sur AUX.

RECHERCHE OU RÉGLAGE DE STATION

Il y a deux méthodes de réglage et une méthode de recherche pour trouver la fréquence désirée.

Pour syntoniser :

Méthode 1 : Maintenez appuyé le bouton flèche droite (C) pour faire défiler rapidement le syntoniseur vers le haut sur la bande de fréquences. Relâchez le bouton une fois la station désirée atteinte. Pour faire défiler le syntoniseur vers le bas sur la bande de fréquences, maintenez appuyé le bouton flèche gauche.

Méthode 2 : Tournez le sélecteur de station (B) vers la droite pour faire défiler la bande de fréquences vers le haut. Tournez le sélecteur de station vers la gauche pour descendre sur la bande de fréquences.

Pour rechercher :

Appuyez sur le bouton flèche droite (C) une fois puis relâchez. La fréquence du syntoniseur défilera pour rechercher la première station radio claire et s'y arrêter. On peut alors réappuyer sur le bouton flèche droite pour continuer la recherche d'une station sur une fréquence supérieure. On peut appuyer sur le bouton flèche gauche pour rechercher une station sur une fréquence plus basse. La fonction de recherche est disponible en mode AM et FM.

POUR PROGRAMMER L'HORLOGE

- Allumez l'appareil (se reporter à la section **Réglage Puissance/Volume**).
- Maintenez le bouton de réglage horaire (E) appuyé, jusqu'à ce que l'affichage LCD (G) commence à clignoter.
- Appuyez sur le bouton flèche approprié (**HR** pour les heures, **MIN** pour les minutes) pour régler l'heure.
 - REMARQUE :** si le bouton n'est pas appuyé dans les 5 secondes, la fonctionnalité de programmation de l'heure retournera automatiquement sur le réglage précédent.
- Une fois l'heure configurée, maintenez le bouton de réglage horaire appuyé jusqu'à ce que l'affichage LCD s'arrête de clignoter.

POUR PROGRAMMER LES BOUTONS MÉMOIRE

On peut programmer individuellement dix stations FM et cinq stations AM. Une fois les boutons programmés, appuyer sur 1, 2, 3, 4, ou 5 changera instantanément la fréquence sur la station préréglée.

- Allumez la radio.
- Réglez la radio sur la station désirée (se reporter à la section **Recherche ou Réglage de station**).
- Maintenez appuyé le bouton mémoire désiré (F). La station réglée commence à clignoter sur l'affichage LCD (G). Continuez à maintenir le bouton appuyé jusqu'à ce que le clignotement s'arrête. Le bouton mémoire est maintenant programmé.
- Répétez les étapes 2 et 3 pour régler les autres boutons mémoire.

Remarques importantes relatives à la radio

- La radio marchera jusqu'à 8 heures sur une charge unique d'une pile de 18 volts. Le fait d'utiliser des piles d'une tension inférieure diminuera le temps de fonctionnement.
- La réception dépendra de la localisation et de l'intensité du signal radio.
- Certaines génératrices peuvent causer des interférences.
- La réception AM sera plus claire lorsque la radio sera alimentée par bloc-piles.
- Pour utiliser le port auxiliaire (K), branchez le jack de sortie d'un baladeur CD ou iPod®*/MP3 dans le port (fig. 1). Le son de la source externe se fera entendre au travers des hauts parleurs du DC012.

iPod® est une marque déposée d'Apple Inc.

MAINTENANCE

Remarques relatives aux réparations

Ce produit ne peut être réparé par l'utilisateur. Ce chargeur/radio ne comporte aucune pièce réparabile par l'utilisateur. Il est requis de faire réparer l'appareil dans un centre de réparation agréé pour éviter tout dommage à ses composants internes sensibles à l'électricité statique.

Entretien

⚠ AVERTISSEMENT : ne jamais utiliser de solvants, ou tout autre produit chimique décapant, pour nettoyer les parties non métalliques du chargeur/radio. Ces produits chimiques pourraient en attaquer les matériaux utilisés. Utiliser un chiffon humidifié avec de l'eau et un savon doux. S'assurer qu'aucun liquide ne pénètre dans l'outil ; ne jamais immerger aucune partie de l'outil dans un liquide.

⚠ ATTENTION : NE JAMAIS vaporiser, ou appliquer de toute autre façon, aucun lubrifiant ou solvant de nettoyage dans l'appareil. Cela pourrait affecter sérieusement la durée de vie et les performances de l'appareil.

NETTOYAGE DU CHARGEUR/RADIO

⚠ AVERTISSEMENT : débrancher le chargeur/radio de la prise de courant alternatif avant tout entretien. Éliminer toute saleté ou graisse de la surface externe du chargeur/radio à l'aide d'un chiffon ou d'une brosse non-métallique douce. Ne pas utiliser d'eau ou aucun nettoyant liquide.

Réparations

Pour assurer votre SÉCURITÉ et la FIABILITÉ du produit, toute réparation, maintenance et tout réglage (y compris l'inspection et le remplacement des balais) doivent être effectués dans un centre de réparation en usine DEWALT, un centre de réparation DEWALT agréé ou par tout autre personnel de réparation qualifié. Utilisez systématiquement des pièces de rechange d'origine.

Garantie limité de trois ans

DEWALT réparera, sans frais, tout produit défectueux causé par un défaut de matériel ou de fabrication pour une période de trois ans à compter de la date d'achat. La présente garantie ne couvre pas les pièces dont la défectuosité a été causée par une usure normale ou l'usage abusif de l'outil. Pour obtenir de plus amples renseignements sur les pièces ou les réparations couvertes par la présente garantie, visiter le site www.dewalt.com ou composer le 1-800-4-DEWALT (1-800-

433-9258). Cette garantie ne s'applique pas aux accessoires et ne vise pas les dommages causés par des réparations effectuées par un tiers. Cette garantie confère des droits légaux particuliers à l'acheteur, mais celui-ci pourrait aussi bénéficier d'autres droits variant d'un état ou d'une province à l'autre.

En plus de la présente garantie, les outils DEWALT sont couverts par notre :

CONTRAT D'ENTRETIEN GRATUIT D'UN AN

DEWALT entretiendra l'outil et remplacera les pièces usées au cours d'une utilisation normale et ce, gratuitement, pendant une période d'un an à compter de la date d'achat (à l'exception des articles de la cloueuse susceptibles de s'user rapidement, comme les joints toriques et les lames de l'enfonceur), et la

GARANTIE DE REMBOURSEMENT DE 90 JOURS

Si l'acheteur n'est pas entièrement satisfait, pour quelque raison que ce soit, du rendement de l'outil électrique, du laser ou de la cloueuse DEWALT, celui-ci peut le retourner, accompagné d'un reçu, dans les 90 jours à compter de la date d'achat pour obtenir un remboursement intégral, sans aucun problème.

AMÉRIQUE LATINE : Cette garantie ne s'applique aux produits vendus en Amérique latine. Pour ceux-ci, veuillez consulter les informations relatives à la garantie spécifique présente dans l'emballage, appeler l'entreprise locale ou consulter le site Web pour les informations relatives à cette garantie.

REMPLACEMENT GRATUIT DES ÉTIQUETTES D'AVERTISSEMENT : Si les étiquettes d'avertissement deviennent illisibles ou sont perdues, composer le 1-800-4-DEWALT (1-800-433-9258) pour les remplacer sans frais.

DC012 WORK SITE CHARGER / RADIO		
<div>⚡ DANGER RISK OF ELECTRIC SHOCK. 120 V AC PRESENT AT CHARGER TERMINALS. DO NOT PROBE WITH CONDUCTIVE OBJECTS. DO NOT CHARGE DAMAGED BATTERY PACKS. REPLACE IMMEDIATELY. REPLACE DEFECTIVE CORD IMMEDIATELY. THIS CLASS B DIGITAL APPARATUS COMPLIES WITH CANADIAN ICES-003. THIS DEVICE COMPLIES WITH PART 15 OF THE FCC RULES. OPERATION IS SUBJECT TO THE FOLLOWING TWO CONDITIONS: 1.) THIS DEVICE MAY NOT CAUSE HARMFUL INTERFERENCE AND 2.) THIS DEVICE MUST ACCEPT ANY INTERFERENCE RECEIVED INCLUDING INTERFERENCE THAT MAY CAUSE UNDESIRIED OPERATION.</div>		
<div>⚠ PELIGRO RIESGO DE CHOQUE ELÉCTRICO. 120 V DE CA PRESENTES EN LAS TERMINALES DEL RADIO/CARGADOR. NO REVISAR CON OBJETOS CONDUCTORES. NO RECARGAR LAS BATERÍAS DAÑADAS. REEMPLAZARLAS DE INMEDIATO. REEMPLAZAR EL CABLE DAÑADO DE INMEDIATO. ESTE APARATO CUMPLE CON LA SECCIÓN 15 DE LAS NORMAS FCC. ESTE APARATO DE LA CLASE B DIGITAL SE CONFORMA CON ICES-003 CANADIENSE. LA OPERACIÓN DEL PRODUCTO ESTÁ SUJETO A LAS DOS CONDICIONES SIGUIENTES: 1) ESTE APARATO NO PODRÁ OCASIONAR INTERFERENCIA PERJUDICIAL Y 2) ESTE APARATO DEBERÁ ACEPTAR CUALQUIER INTERFERENCIA RECIBIDA, INCLUYENDO LA INTERFERENCIA QUE PUDIERA OCASIONAR FUNCIONAMIENTO INDESEABLE.</div>		
<div>⚡ DANGER RISQUE DE SECOUSSÉS ÉLECTRIQUES. 120 V C.A. AUX BORNES DU CHARGEUR. NE PAS TOUCHER AVEC DES OBJETS CONDUCTEURS. NE PAS CHARGER DES BLOCS-PILES ENDOMMAGÉS; LES REMPLACER SANS TARDER. REMPLACER IMMÉDIATEMENT UN CORDON DÉFECTUEUX. GET APPAREIL NUMÉRIQUE DE LA CLASSE B EST CONFORME À LA NORME NMB-003 DU CANADA. LE DISPOSITIF EST CONFORME À LA SECTION 15 DES NORMES DE L'ORGANISME AMÉRICAIN FCC. SON FONCTIONNEMENT RESPECTE LES DEUX CONDITIONS SUIVANTES : 1) LE DISPOSITIF NE PEUT CAUSER AUCUNE INTERFÉRENCE NUISIBLE. ET 2) LE DISPOSITIF PEUT ACCEPTER TOUTE INTERFÉRENCE REÇUE, Y COMPRIS DES INTERFÉRENCES QUI POURRAIENT EN ALTÉRER LE FONCTIONNEMENT.</div>		
<div>⚡ CAUTION RISK OF ELECTRIC SHOCK. DO NOT OPEN.</div>	<div>⚠ ADVERTENCIA RIESGO DE CHOQUE ELÉCTRICO. NO ABRIR.</div>	<div>⚠ MISE EN GARDE RISQUE DE SECOUSSÉS ÉLECTRIQUES. NE PAS OUVRIR.</div>
<small>DeWALT INDUSTRIAL TOOL CO., BALTIMORE, MD 21286 U.S.A. FOR SERVICE INFORMATION, CALL 1-800-4-DEWALT www.DeWALT.com</small>		

DC012 WORK SITE CHARGER / RADIO

⚠ WARNING FOR SAFE OPERATION, READ INSTRUCTION MANUAL. USE ONLY WITH DEWALT BATTERY PACKS. OTHERS MAY BURST CAUSING PERSONAL INJURY AND DAMAGE. READ ADDITIONAL SAFETY INFORMATION ON UNDERSIDE OF RADIO/CHARGER. **⚠ ADVERTENCIA:** POR FAVOR LEA EL MANUAL DE INSTRUCCIONES PARA LA OPERACIÓN SEGURA DEL PRODUCTO. HAGÁ FUNCIONAR SOLAMENTE CON LAS BATERÍAS DEWALT. OTRAS BATERÍAS AJENAS PODRIAN EXPLOTAR Y OCASIONAR DAÑO O LESIONES PERSONALES. POR FAVOR LEA LA INFORMACIÓN DE SEGURIDAD SUPLEMENTARIA EN LA SUPERFICIE INFERIOR DEL CARGADOR. **⚠ AVERTISSEMENT:** AFIN DE S'ASSURER D'UN FONCTIONNEMENT SÛR, LIRE LE GUIDE D'UTILISATION. UTILISER SEULEMENT AVEC DE BLOCS-PILES DEWALT. TOUT AUTRE BLOC-PILE POURRAIT EXPLOSER ET CAUSER DES BLESSURES OU DES DOMMAGES. LIRE LES AUTRES MESURES DE SÉCURITÉ QUI SE TROUVENT SOUS LE RADIO-CHARGEUR.

Definiciones: Normas de seguridad

Las siguientes definiciones describen el nivel de gravedad de cada palabra de señal. Lea el manual y preste atención a estos símbolos.

⚠ PELIGRO: indica una situación de peligro inminente que, si no se evita, provocará **la muerte o lesiones graves.**

⚠ ADVERTENCIA: indica una situación de peligro potencial que, si no se evita, podría provocar **la muerte o lesiones graves.**

⚠ ATENCIÓN: indica una situación de peligro potencial que, si no se evita, **posiblemente** provocaría **lesiones leves o moderadas.**

AVISO: se refiere a una práctica **no relacionada a lesiones corporales** que de no evitarse **puede** resultar en **daños a la propiedad.**

SI TIENE ALGUNA PREGUNTA O ALGÚN COMENTARIO QUE HACER CON RESPECTO A ESTA O CUALQUIER OTRA HERRAMIENTA DEWALT, LLÁMENOS SIN CARGO AL: **1-800-4-DEWALT (1-800-433-9258)**

Cargador/Radio de Trabajo Pesado para el Sitio de Trabajo DC012

El Cargador/Radio de Trabajo Pesado para el sitio de trabajo DC012 es una combinación de radio AM/FM y cargador DEWALT. El cargador DC012 proporcionará carga a la mayoría de las baterías DEWALT de 7,2 a 18,0 voltios, de NiCd, NiMH, Li-Ion, exceptuando las baterías Univolt. Las baterías se venden por separado.

Instrucciones importantes sobre seguridad

- Lea estas instrucciones.
- Conserve estas instrucciones.
- Obedezca todas las advertencias.
- Siga todas las instrucciones.
- No use este aparato cerca del agua.
- Limpie únicamente con un trapo seco.
- No obstruya las aberturas de ventilación. Instale de conformidad con las instrucciones del fabricante.
- No instale cerca de fuentes de calor como radiadores, rejillas de calefacción, estufas ni otros aparatos (incluyendo amplificadores) que produzcan calor.
- No anule el propósito de seguridad de la clavija para conexión a tierra o polarizada. Una clavija polarizada tiene dos patas, una más ancha que la otra. Una clavija para conexión a tierra tiene dos patas, más una tercera para la conexión a tierra. La pata ancha o la tercera pata se proporcionan para su seguridad. I Si la clavija de la unidad no se acopla a la toma de corriente, consulte a un electricista para que reemplace la toma de corriente obsoleta.
- Evite que caminen sobre el cable y protégalo contra aplastamientos, particularmente en la clavija, las toma de corriente y el punto en el que sale del aparato.
- Utilice únicamente los aditamentos y accesorios especificados por el fabricante.
- Sólo coloque la radio sobre una superficie nivelada y estable.
- Desconecte este aparato durante tormentas eléctricas o cuando no vaya a usarlo por períodos prolongados.
- Deje todo el mantenimiento en manos de personal calificado. Se requiere servicio cuando el aparato se haya dañado de cualquier modo, como por ejemplo si el cable o la clavija se dañan, si se ha derramado líquido o han caído objetos dentro del aparato, o si el aparato se ha expuesto a lluvia o humedad, no opera normalmente o se haya caído.
- El aparato no quedará expuesto a goteos ni a salpicaduras, y no se colocarán sobre el aparato objetos llenos de líquido, tales como jarrones.

⚡ El relámpago con punta de flecha dentro de un triángulo pretende señalar al usuario que en el interior del producto hay piezas que constituyen un riesgo de choque eléctrico para las personas.

⚠ El signo de exclamación dentro de un triángulo pretende señalar al usuario que hay instrucciones importantes sobre la operación y el servicio en los documentos que vienen con la unidad.

Este aparato digital de la Clase B cumple con la norma canadiense ICES-003.

NOTA: Este equipo ha sido probado y se ha encontrado que cumple con los límites establecidos para dispositivos digitales Clase B, en conformidad con la Parte 15 del Reglamento de la FCC. Estos límites están diseñados para ofrecer un nivel razonable de protección contra la interferencia dañina en instalaciones residenciales. Este equipo genera, utiliza y puede emitir energía de radiofrecuencia y, si no se instala y utiliza de acuerdo a las instrucciones proporcionadas, puede producir una interferencia dañina para la comunicación radial. Sin embargo, no existen garantías de que no ocurra interferencia alguna en una instalación en particular. Si este equipo produce interferencia dañina para su recepción de radio o televisión, lo que puede ser determinado al apagar y volver a encender el equipo, se pide al usuario que corrija la interferencia implementando una o más de las siguientes medidas:

- Cambie la orientación o el lugar donde está ubicada la antena receptora.
- Aumente el espacio que separa al equipo del receptor.
- Conecte el equipo a una toma de corriente que esté en un circuito diferente al circuito al que está conectado el receptor.
- Consulte con el concesionario o con un técnico de radio y televisión experimentado que pueda ayudarle.

AVISO: De acuerdo con la FCC Parte 15, los cambios o modificaciones a este equipo que no sean advertentemente aprobados por DEWALT podrían invalidar su autoridad para operar este equipo.

⚠ ADVERTENCIA: Para reducir el riesgo de fuego o choque eléctrico, no exponga este aparato a la lluvia ni a la humedad. Utilícelo solamente en ubicaciones secas.

⚠ ATENCIÓN: Para evitar el choque eléctrico, haga coincidir la pata ancha de la clavija con la ranura ancha de la toma de corriente e insértela completamente.

- La etiqueta de su herramienta puede incluir los siguientes símbolos. A continuación se indican los símbolos y sus definiciones:

V..... voltios

Hz.....hertz

minminutos

== corriente directa

..... Construcción de Clase I (tierra)

..... Construcción de Clase II (doble aislamiento)

.../min.....por minuto

.....símbolo de riesgo de electrocución

A..... amperios

W..... watts

~ corriente alterna

 corriente alterna o corriente directa

no velocidad sin carga

..... Terminal para puesta a tierra

 Símbolo de advertencia de seguridad

BPM golpes por minuto

RPM..... revoluciones por minuto

Instrucciones de seguridad importantes para todas las unidades de batería

Cuando solicite unidades de batería de repuesto, no olvide indicar el número de catálogo y el voltaje. Consulte la tabla al final de este manual para ver la compatibilidad entre cargadores y unidades de batería.

El paquete de baterías no viene completamente cargado de fábrica. Antes de usar el paquete de baterías y el cargador, lea las siguientes instrucciones de seguridad. Luego, siga los procedimientos de carga indicados.

LEA TODAS LAS INSTRUCCIONES

- No cargue o use la batería en atmósferas explosivas, tal como en la presencia de líquidos, gases o polvos inflamables.** Puede que al insertar o sacar la batería del cargador se inflamen el polvo o los gases.
- NUNCA fuerce EL PAQUETE de bateríaS para que entre en el cargador. NO modifique el paquete de baterías en ninguna forma para que entre en un cargador no compatible, pues puede producir una ruptura en el paquete de baterías y causar lesiones corporales graves.** Consulte la tabla al final de este manual para ver la compatibilidad entre baterías y cargadores.
- Cargue los paquetes de baterías sólo en cargadores DEWALT.
- NO salpique con ni sumerja en agua u otros líquidos.**
- No guarde ni use la herramienta y el paquete de baterías en lugares donde la temperatura pueda alcanzar o superar los 40 °C (105 °F), tales como cobertizos o edificaciones metálicas durante el verano.**

⚠ PELIGRO: Peligro de electrocución. Nunca intente abrir el paquete de baterías por ningún motivo. Si la caja exterior del paquete de baterías se triza o daña, no la introduzca en el cargador. No trituré, deje caer o dañe el paquete de baterías. No use un paquete de baterías o un cargador que haya sido golpeado, se haya dejado caer, haya sido atropellado o dañado en cualquier forma (es decir, perforado por un clavo, golpeado con un martillo, pisado). Puede causar descargas eléctricas o electrocución. Lleve sus paquetes de baterías dañados a un centro de servicio para que sean reciclados.

NOTA: Se han incluido protectores para el almacenaje y transporte de la batería. Estos deben ser usados cuando la batería no esté conectada a la herramienta ni esté en el cargador. Recuerde quitarle el protector antes de poner la batería en el cargador o conectarla a la herramienta.

⚠ ADVERTENCIA: Peligro de incendio. No guarde ni transporte la batería de tal manera que objetos metálicos puedan hacer contacto con los terminales expuestos de la batería. Por ejemplo, no ponga la batería en delantales, bolsillos, cajas de herramientas, estuches de productos, cajones, etc., junto con clavos, tornillos, llaves, etc., sueltos, sin el protector puesto. **El transporte de baterías puede causar incendios si sus terminales inadvertidamente entran en contacto con materiales conductores como llaves, monedas, herramientas de mano y similares.** El Reglamento sobre Materiales Peligrosos (HMR) del Ministerio de Transporte de los Estados Unidos actualmente prohíbe el transporte de baterías en el comercio o en aviones (es decir, embaladas en maletas y maletines de mano) A NO SER que estén debidamente protegidos contra cortocircuito. Por lo tanto, cuando transporte baterías individuales, asegúrese de que sus terminales estén protegidos y debidamente aislados de materiales que pudieran entrar en contacto con ellos y causar un cortocircuito.

RECHARGEABLE BATTERY RECYCLING CORPORATION

RECYCLE YOUR BATTERY

CALL 1-800-822-8853

INSTRUCCIONES DE SEGURIDAD ESPECÍFICAS PARA BATERÍAS DE NÍQUEL CADMIO (NICD) O DE NÍQUEL E HIDRURO METÁLICO (NIMH)

- No incinere el paquete de baterías, aunque esté completamente dañado o descargado.** El paquete de baterías puede explotar si se quema.
- Las celdas del paquete de baterías pueden presentar fugas pequeñas de líquido bajo condiciones extremas de uso o temperatura.** Esto no indica un defecto.

Sin embargo, si el sello externo está roto:

- y el líquido de la batería entra en contacto con su piel, lave el área de inmediato con agua y jabón por varios minutos.
- y el líquido de la batería entra en contacto con sus ojos, enjuáguelos con agua limpia por un tiempo mínimo de 10 minutos y busque atención médica inmediata. (**Nota médica:** El líquido es una solución de potasa cáustica en una concentración del 25 al 35%.)

INSTRUCCIONES DE SEGURIDAD ESPECÍFICAS PARA BATERÍAS DE IONES DE LITIO (LI-ION)

- No incinere el paquete de baterías, aun en el caso de que esté muy dañado o completamente descargado.** La batería puede explotar en el fuego. Cuando se queman paquetes de baterías de iones de litio se producen gases y materiales tóxicos.
- Si el líquido de la batería entra en contacto con la piel, lave el área de inmediato con agua y un jabón suave.** Si el líquido de la batería entra en contacto con sus ojos, enjuáguelos con agua manteniéndolos abiertos por 15 minutos o hasta que cese la irritación. Si se requiere de asistencia médica, el electrolito de la batería está compuesto por una mezcla de carbonatos orgánicos líquidos y sales de litio.
- El contenido de las celdas abiertas de la batería puede causar irritación en el tracto respiratorio.** Salga al aire fresco. Si los síntomas persisten, busque asistencia médica.

⚠ ADVERTENCIA: Peligro de quemaduras. El líquido de la batería puede ser inflamable si se expone a chispas o llamas.

El sello RBRC™

El sello RBRC™ (Rechargeable Battery Recycling Corporation) en las baterías (o paquetes de baterías) de níquel cadmio, níquel e hidruro metálico o de iones de litio indica que el costo de reciclaje de estas baterías (o paquetes de baterías) al llegar al final de su vida de servicio ya ha sido pagado por DEWALT. En algunas áreas, es ilegal depositar baterías de níquel cadmio, níquel e hidruro metálico o de iones de litio gastadas en la basura o la corriente de residuos sólidos urbanos; el programa RBRC™ proporciona una alternativa ecológica.

RBRC™, en cooperación con DEWALT, y otros usuarios de baterías, han establecido programas en los Estados Unidos y Canadá para facilitar la recolección de baterías de níquel cadmio, níquel e hidruro metálico o de iones de litio gastadas. Al llevar sus baterías gastadas de níquel cadmio, níquel e hidruro metálico y de iones de litio a un centro de servicio autorizado por DEWALT, o al minorista local para que sean recicladas, ayuda a proteger el medio ambiente y a conservar recursos naturales. También puede comunicarse con el centro de reciclaje de su localidad para mayor información sobre dónde llevar sus baterías gastadas.

RBRC™ es una marca comercial registrada de la Rechargeable Battery Recycling Corporation.

Instrucciones importantes de seguridad para todos los cargadores de baterías

GUARDE ESTAS INSTRUCCIONES: Este manual contiene importantes instrucciones sobre seguridad y funcionamiento para el cargador/radio DC012.

- Antes de usar el cargador, lea todas las instrucciones y advertencias que se encuentren en el cargador, el paquete de baterías y el producto que usa el paquete de baterías.

⚠ PELIGRO: Peligro de electrocución. Hay 120 voltios en los terminales de carga. No tocar con objetos conductores. Puede causar descargas eléctricas o electrocución.

⚠ ADVERTENCIA: Peligro de descarga eléctrica. No permita que ningún líquido se introduzca en el cargador. Puede producir descargas eléctricas.

⚠ ATENCIÓN: Peligro de quemaduras. Para reducir el riesgo de lesiones, sólo cargue baterías recargables marca DEWALT. Otros tipos de baterías pueden estallar y causar así lesiones corporales y daños.

⚠ ATENCIÓN: Bajo ciertas condiciones, cuando el cargador está enchufado a una toma de corriente, los contactos de carga expuestos dentro del cargador pueden hacer cortocircuito si entran en contacto con algún material ajeno. Los materiales ajenos de naturaleza conductora, como la lana de acero, el papel de aluminio y otros, o cualquier acumulación de partículas metálicas deberían mantenerse alejados de las cavidades del cargador. Desenchufe siempre el cargador de la toma de corriente cuando no haya un paquete de baterías en su cavidad. Desenchufe el cargador antes de intentar limpiarlo.

- NO intente cargar el paquete de baterías con otros cargadores que no sean los descritos en este manual.** El cargador y el paquete de baterías fueron específicamente diseñados para trabajar en conjunto.
- Estos cargadores no fueron diseñados para ser utilizados para algo distinto de cargar las baterías recargables DEWALT.** Cualquier otro uso puede producir riesgo de incendios, descargas eléctricas o electrocución.
- No exponga el cargador a lluvia o nieve.**
- Tire del enchufe y no del cable al desconectar el cargador.** De esta forma se reduce el riesgo de daño al enchufe y cable.
- Asegúrese de que el cable no sea ubicado de manera que podría ser pisado, causar que alguien tropiece con él o quedar expuesto a otro tipo de daños y desgastes.**
- No use una extensión a menos de que sea absolutamente necesario.** La utilización de un cable de extensión inadecuado podría tener como resultado un incendio, una descarga eléctrica o la electrocución.
- Los hilos del cable de extensión deben ser de un calibre apropiado (AWG o American Wire Gauge) para su seguridad.** Mientras menor sea el número del calibre del hilo, mayor la capacidad del cable. Es decir, un hilo calibre 16 tiene mayor capacidad que uno de 18. Cuando se utilice más de un cable de extensión para completar el largo total, asegúrese que los hilos de cada cable de extensión tengan el calibre mínimo.

Utilización de cables de extensión

Utilice únicamente cables de extensión con puesta a tierra que estén clasificados para uso en exteriores y equipos con un tercer hilo para tierra.

Cuando se utiliza un cable de extensión muy prolongado para conectar una luz de trabajo/cargador se presenta una caída de voltaje. Entre más largo sea el cable, mayor será la caída de voltaje. Esto da como resultado que se suministre menos voltaje a la luz de trabajo/cargador o herramienta, y que aumente el consumo de corriente (amperios) o que se reduzca el rendimiento. Un cable más grueso con un mayor tamaño del conductor reducirá la caída de voltaje. Cerciórese de escoger un cable que suministre suficiente voltaje para operar su herramienta o luz de trabajo/cargador. La siguiente tabla indica el calibre apropiado para cables de extensión y la caída de voltaje causada por el uso de cables de extensión, ante diversas cargas eléctricas.

⚠ADVERTENCIA: Conserve los cables eléctricos en buena condición. No utilice cables desgastados, pelados o deshilachados porque pueden causar descargas eléctricas.

⚠ADVERTENCIA: El operar equipos a bajo voltaje puede causar que se recalienten. El utilizar un cable de extensión excesivamente largo puede causar que el cable se recaliente.

CALIBRE MÍNIMO PARA CABLES DE EXTENSIÓN					
Voltios	Largo total de la extensión en pies				
120V	0–25	26–50	51–100	101–150	
240V	0–50	51–100	101–200	201–300	
Amperaje	AWG				
0–10 (A)	16	16	14	14	
10–13 (A)	16	16	14	12	
13–16 (A)	14	14	12	12	
16–25 (A)	12	12	12	10	
25–30 (A)	10	10	10	No recomendado	
Longitud de cable de Extensión	Carga en Amp	Caída de Voltaje			
		16 AWG	14 AWG	12 AWG	10 AWG
25 pies	10A	2,0	1,3	0,8	0,5
	15A	3,0	1,9	1,2	0,8
	20A	4,0	2,5	1,6	1,1
	30A	6,0	3,8	2,3	1,6
50 pies	10A	4,0	2,5	1,6	1,1
	15A	6,0	3,8	2,3	1,6
	20A	8,0	5,0	3,1	2,1
	30A	12,0	7,5	4,7	3,2
100 pies	10A	8,0	5,0	3,1	2,1
	15A	12,0	7,5	4,7	3,2
	20A	16,0	10,0	6,2	4,2
	30A	24,0	15,0	9,3	6,3
150 pies	10A	12,0	7,5	4,7	3,2
	15A	18,0	11,3	7,0	4,7
	20A	24,0	15,0	9,3	6,3
	30A	36,0	22,5	14,0	9,5

- No coloque ningún objeto encima del cargador/radio ni coloque a este último sobre una superficie blanda que pudiera bloquear las ranuras de ventilación y dar como resultado un calor interno excesivo. Coloque el cargador/radio en un lugar alejado de cualquier fuente de calor.**
- No utilice el cargador/radio si el cable o la clavija se encuentran dañados** - hágalos reemplazar de inmediato.
- No opere el cargador/radio si ha recibido un golpe fuerte, si se ha dejado caer o si ha resultado dañado de alguna otra forma.** Llévelo a un centro de servicio autorizado.
- No desarme el cargador/radio. Llévelo a un centro de servicio autorizado cuando requiera de servicio o deba ser reparado.** Si es reensamblado incorrectamente, puede causar descargas eléctricas, electrocución o incendios.
- Desenchufe el cargador/radio de la toma de corriente antes de intentar limpiarlo. Esto reducirá el riesgo de descargas eléctricas.** El retirar el paquete de baterías no reducirá este riesgo.
- NUNCA** intente conectar 2 cargadores/radíos entre sí.
- Este cargador/radio ha sido diseñado para funcionar con 120 voltios, 60 Hz AC/CA. También opera con unidades de alimentación DEWALT.** No use ningún otro voltaje.

GUARDE ESTAS INSTRUCCIONES

Cargador/Radio

El DC012 cargará paquetes de baterías DEWALT de 7,2 a 18 voltios y operará utilizando paquetes de baterías DEWALT de 12 a 18 voltios. Su batería también puede ser cargada en cargadores DEWALT de 1 hora, de 15 minutos o vehiculares de 12 voltios. Asegúrese de leer todas las instrucciones de seguridad antes de usar el cargador. Consulte la tabla en este manual para ver la compatibilidad entre cargadores y paquetes de baterías.

Procedimiento de carga (Fig. 1)

PELIGRO: Peligro de electrocución. Hay 120 voltios en los terminales de carga. No tocar con objetos conductores. Peligro de descarga eléctrica o electrocución. Siempre mantenga la puerta de la batería cerrada y asegurada con el cerrojo.

- Enchufe el cargador/radio en una toma de energía CA adecuada o en un generador.
- Inserte el paquete de baterías en el receptáculo de carga (I). Asegúrese que el paquete haya asentado completamente en el cargador/radio; cierre la compuerta trasera y asegure el cerrojo (H).
- La luz roja en el frente del radio (J) parpadeará continuamente indicando que se ha iniciado el proceso de carga.
- La luz roja se quedará ENCENDIDA continuamente cuando se haya completado el proceso de carga.

Operación de la luz indicadora

CARGANDO BATERÍA.....

CARGA COMPLETA.....

RETARDO POR BATERÍA CALIENTE/FRÍA.....

REEMPLAZAR BATERÍA.....

LÍNEA DE ALIMENTACIÓN PROBLEMÁTICA.....

Indicadores de carga

El cargador/radio está diseñado para detectar ciertos problemas que se pueden presentar con los paquetes de baterías. Estos problemas se indican mediante una luz roja intermitente rápida. Si esto ocurre, vuelva a colocar el paquete de baterías en el cargador/radio. Si el problema persiste, pruebe con otro paquete de baterías para determinar si el cargador/radio está en buen estado. Si el segundo paquete carga correctamente, significa que el primer paquete está defectuoso y debería ser llevado a un centro de servicio u otro lugar de recolección para su reciclaje. Si el segundo paquete de baterías hace que el cargador indique el mismo problema que el original, lleve el cargador/radio a un centro de servicio autorizado para su inspección.

RETARDO POR PAQUETE CALIENTE/FRÍO

El cargador/radio dispone de una función de Retardo por paquete caliente/frío: si el cargador/radio detecta que una batería está caliente, automáticamente inicia un Retardo por paquete caliente, suspendiendo la carga hasta que la batería se haya enfriado. Una vez enfriada la batería, el cargador/radio pasará automáticamente a la modalidad de Carga del Paquete. Esta función asegura la máxima duración de su batería. La luz roja parpadeará a intervalos largos, luego cortos cuando esté en modalidad de retardo por paquete caliente.

LÍNEA DE ALIMENTACIÓN EN FALLA

El cargador/radio dispone de un Indicador de Fallas en la Línea de Energía eléctrica. Si se usa el cargador/radio con algunas fuentes de energía portátiles, tales como generadores o fuentes que convierten corriente directa en corriente alterna, el cargador/radio puede suspender temporalmente su funcionamiento, **haciendo destellar la luz roja con dos parpadeos rápidos seguidos por una pausa**. Esto indica que la fuente de corriente ha excedido sus límites.

PERMANENCIA DEL PAQUETE DE BATERÍAS EN EL CARGADOR

El cargador/radio y el paquete de baterías se pueden dejar conectados indefinidamente con la luz roja encendida. El cargador/radio mantendrá el paquete de baterías con carga fresca y completa.

NOTA: El paquete de baterías perderá su carga lentamente si se retira del cargador/radio. Si no se ha dejado el paquete de baterías en carga de mantenimiento, puede que sea necesario recargarlo antes de usarlo nuevamente. El paquete de baterías también puede perder lentamente su carga si se deja en un cargador/radio que no esté enchufado en una fuente de corriente alterna adecuada.

PAQUETES DE BATERÍAS DESGASTADOS: El cargador/radio también puede detectar si la batería está descargada. Estas baterías aún son utilizables, pero no se puede esperar de ellas el mismo rendimiento. En tales casos, aproximadamente 10 segundos después de introducir la batería, el cargador/radio emitirá 8 pitidos rápidos para indicar el estado descargado de la batería. A continuación el cargador/radio procederá a cargar la batería hasta la máxima capacidad posible.

Notas importantes sobre la carga

- Se puede obtener una mayor duración y un mejor rendimiento si el paquete de baterías se carga a una temperatura ambiental de 18 a 24 °C (65 a 75 °F). NO cargue el paquete de baterías a una temperatura ambiental inferior a +4,5 °C (+40 °F) o superior a +40,5 °C (+105 °F). Esto es importante y evitará causar daños graves al paquete de baterías.
- Puede que el cargador/radio y el paquete de baterías se sientan ligeramente calientes al tacto durante el proceso de carga. Esto es normal y no representa ningún problema. Para facilitar el enfriamiento del paquete de baterías después del uso, evite colocar el cargador/radio o el paquete de baterías en un lugar cálido, tal como en un cobertizo metálico o un remolque sin aislamiento térmico.
- Si el paquete de baterías no carga correctamente:
 - Verifique la corriente en la toma, enchufando una lámpara u otro aparato.
 - Revise que la toma de corriente no esté conectada a un interruptor de luz que corte la corriente cuando se apague la luz.
 - Mueva el cargador/radio y el paquete de baterías a un lugar donde la temperatura ambiental sea aproximadamente de 18 °C a 24 °C (65 °F a 75 °F).
 - Si el problema de carga continúa, lleve la herramienta, el paquete de baterías y el cargador a su centro de servicio local.
- El paquete de baterías debería ser recargado cuando no sea capaz de producir suficiente potencia para trabajos que antes eran realizados fácilmente. NO CONTÍNUE usándolo bajo estas circunstancias. Siga el procedimiento de carga. También puede cargar un paquete de baterías que haya sido usado parcialmente cuando lo desee, sin dañarlo.
- Bajo ciertas condiciones, cuando el cargador/radio esté enchufado en la fuente de alimentación, los contactos de carga expuestos dentro del cargador pueden hacer cortocircuito debido a algún material externo. Los materiales ajenos conductora por naturaleza, tales como, pero sin limitarse a, la lana de acero, el papel de aluminio o cualquier acumulación de partículas metálicas deberían mantenerse alejados de las cavidades del cargador/radio. Siempre mantenga cerrada la compuerta de la batería cuando no haya paquete de baterías en la cavidad. Desenchufe el cargador/radio antes de intentar limpiarlo.

- No congele ni sumerja el cargador/radio en el agua o en cualquier otro líquido.

⚠ADVERTENCIA: Peligro de descarga eléctrica. No permita que entre líquido en el cargador/radio. Puede producir descargas eléctricas.

⚠ATENCIÓN: Nunca intente abrir el paquete de baterías por ningún motivo. Si la caja plástica del paquete de baterías se agrieta o rompe, llévela a un centro de servicio para su reciclaje.

COMPONENTES (FIG. 1, 2)

- | | |
|--|---|
| A. Control de encendido/Volumen | I. Receptáculo para carga |
| B. Dial para sintonización | J. Luz de carga |
| C. Botones de flecha | K. Puerto auxiliar |
| D. Botón de modo | L. Compuerta de la batería de botón |
| E. Botón del reloj | M. Batería de botón |
| F. Botones para memoria | N. Tornillo de la compuerta de la batería |
| G. Pantalla de cristal líquido (LCD) | O. Tomas |
| H. Seguro del compartimiento de la batería | |

OPERACIÓN DEL RADIO (FIG. 1, 2)

Su cargador/radio está provisto con capacidad de memoria a fin de almacenar la hora y sus canales de memoria seleccionados. Cuando el radio está en la posición OFF, esta capacidad de memoria es energizada mediante una batería de botón que se incluye con el cargador/radio.

PARA INSTALAR LA BATERÍA DE BOTÓN

⚠ADVERTENCIA: existe riesgo de explosión si la batería se instala en forma incorrecta. Al reemplazar la batería, sustítuyala con una del mismo tipo cr2032 o equivalente. Observe que la polaridad sea la correcta (+ y −) cuando cambie baterías. No almacene o transporte las baterías de modo que otros objetos metálicos pudiesen entrar en contacto con los terminales expuestos de las baterías.

⚠ PELIGRO: NO INGERIR LA PILA; PELIGRO DE QUEMADURA QUÍMICA. Este producto contiene una pila de botón. Si se traga la pila de botón, puede ocasionar graves quemaduras internas en solo dos horas y provocar la muerte.

Manténgase las pilas nuevas y usadas fuera del alcance de los niños. Si el compartimiento de pilas no cierra bien deje de usar el producto y manténgalo fuera del alcance de los niños.

Si cree que las pilas han podido tragarse o ponerse dentro de cualquier parte del cuerpo, busque atención médica inmediatamente.

⚠ADVERTENCIA: Para reducir el riesgo de lesiones personales graves, apague la herramienta y desconecte el cargador/radio de la fuente de alimentación antes de instalar/cambiar la batería.

- Abra el compartimiento de la batería levantando el seguro del compartimiento de la batería (H).
- Para retirar el tornillo (N) en la compuerta de la batería (L) dele vuelta en sentido antihorario.
- Presione sobre el seguro de la compuerta de la batería y hale para abrir.
- Instale la batería de botón (M) de acuerdo con el diagrama dentro del área de la batería de botón.
- Vuelva a colocar la compuerta de la batería, inserte el tornillo y apriete.
- Cierre firmemente el compartimiento de la batería.

NOTA: Para reiniciar la pantalla de cristal líquido, el reloj y los ajustes previos retire la batería de botón y vuelva a instalarla. Siga este procedimiento si la pantalla aparenta bloquearse.

ENCENDIDO/AJUSTE DE VOLUMEN

- Para encender el radio gire el dial (A) en sentido horario hasta que oiga un chasquido.
- Gire el dial (A) en sentido horario para aumentar el volumen. Para disminuir el volumen, gire en sentido antihorario.

FUNCIÓN DE MODO

Para escoger una de las funciones de modo (FM1, FM2, AM ó AUX) oprima el botón de modo (D) hasta ubicar la función deseada. Por ejemplo, si el radio está en FM1, como se ve en la parte superior izquierda de la pantalla de cristal líquido (G), oprima el botón de modo tres veces para cambiar a AUX.

FUNCIÓN SINTONIZAR O BUSCAR

Existen dos métodos para sintonización y un método para búsqueda a fin de encontrar la frecuencia deseada.

Para sintonizar:

Método 1: Oprima y mantenga presionado el botón de flecha a la derecha (C) para desplazar rápidamente el sintonizador hacia arriba en la banda de frecuencias. Suelte el botón cuando se llegue al canal deseado. Para desplazar rápidamente el sintonizador hacia abajo en la banda de frecuencias, oprima y mantenga presionado el botón de flecha a la izquierda.

Método 2: Gire el dial para sintonización (B) en sentido horario a fin de moverse hacia arriba en la banda de frecuencias. Gire el dial para sintonización en sentido antihorario a fin de moverse hacia abajo en la banda de frecuencias.

Para buscar:

Oprima una vez y suelte el botón de flecha a la derecha (C). El sintonizador de frecuencia aumentará a fin de buscar la primera estación de radio con claridad aceptable y se detendrá en esa estación. El botón de flecha a la derecha puede ser oprimido de nuevo para continuar buscando una estación de radio en frecuencias más elevadas. Se puede oprimir el botón de flecha a la izquierda para buscar estaciones de radio a frecuencias más bajas. La función de búsqueda está disponible en los modos AM y FM.

PARA PROGRAMAR EL RELOJ

- Encienda (véase **Encendido/Ajuste de volumen**).
- Oprima y mantenga presionado el botón del reloj (E) hasta que la la pantalla de cristal líquido (G) empiece a destellar.
- Oprima el botón de flecha apropiado (**HR** para horas; **MIN** para minutos) a fin de ajustar la hora.
 - NOTA:** Si no oprime un botón dentro de 5 segundos, la característica de programación del reloj retornará automáticamente a la configuración anterior.
- Una vez haya sido fijada la hora, oprima y mantenga presionado el botón del reloj hasta la hora deje de destellar en la pantalla de cristal líquido.

PARA PROGRAMAR LOS BOTONES DE MEMORIA

Se pueden fijar diez estaciones de radio FM y cinco de AM, independientemente. Después de programar los botones, el oprimir 1, 2, 3, 4 ó 5 cambiará en forma instantánea la frecuencia a la de la estación preestablecida.

- Encienda.
- Ponga el radio a la estación deseada (véase **Función de Sintonizar o Buscar**).
- Presione y mantenga oprimido uno de los botones para memoria deseado (F). La configuración de la estación empieza a destellar en la pantalla de cristal líquido (G). Mantenga oprimido el botón hasta que se detenga el destello. El botón de memoria ha quedado fijado.
- Repita los pasos 2 y 3 para fijar los otros botones para memoria.

Notas importantes sobre el radio

- Al utilizar una batería de 18 voltios el radio funcionará hasta 8 horas con una sola carga. Si usa baterías con un menor voltaje, el tiempo de funcionamiento será menor.
- La recepción variará dependiendo de la ubicación y de la fuerza de la señal de radio.
- Ciertos generadores pueden ocasionar ruido de fondo.
- La recepción de AM será probablemente más clara cuando se alimente el radio con un paquete de baterías.
- Para utilizar el puerto auxiliar (K), enchufe la clavija de salida de un reproductor de CD o iPod®/MP3 en el puerto (Fig. 1). El sonido proveniente de la fuente externa se escucha por las bocinas del DC012.

**iPod® es una marca comercial registrada de Apple Inc.*

MANTENIMIENTO

Notas de servicio

Este producto no debe ser reparado por el usuario. El cargador/radio no contiene piezas que el usuario pueda reparar. Es necesario llevarlo a reparar a un centro de servicio autorizado para evitar daños a componentes internos que son sensibles a la electricidad estática.

Limpieza

ADVERTENCIA: Nunca utilice solventes u otras sustancias químicas fuertes cuando limpie las piezas no metálicas del cargador/radio. Estas sustancias químicas pueden debilitar los materiales utilizados en estas piezas. Use un paño humedecido con agua y jabón suave. No permita que ningún líquido se introduzca en la herramienta; no sumerja ninguna parte de la herramienta en un líquido.

ATENCIÓN: NUNCA rocíe o aplique en ninguna otra forma lubricantes o solventes de limpieza dentro de la herramienta. Esto puede afectar seriamente la duración y el desempeño de la herramienta.

INSTRUCCIONES PARA LIMPIEZA DEL CARGADOR/RADIO

ADVERTENCIA: desconecte el cargador/radio de la toma de corriente alterna antes de limpiarlo. Puede limpiar la suciedad y grasa del exterior del cargador/radio con un paño o cepillo suave no metálico. No utilice agua ni líquidos de limpieza.

Reparaciones

Las reparaciones, el mantenimiento y los ajustes de este producto (incluyendo la inspección y el replazo del cepillo) deberían ser realizados por un centro de servicio de fábrica DeWALT, un centro de servicio autorizado por DeWALT u otro personal de servicio calificado para garantizar la SEGURIDAD y la CONFIABILIDAD. Siempre utilice repuestos idénticos.

Póliza de Garantía

IDENTIFICACIÓN DEL PRODUCTO:

Sello o firma del Distribuidor.

Nombre del producto: _____ Mod./Cat.: _____

Marca: _____ Núm. de serie: _____

(Datos para ser llenados por el distribuidor)

Fecha de compra y/o entrega del producto: _____

Nombre y domicilio del distribuidor donde se adquirió el producto:

Este producto está garantizado por un año a partir de la fecha de entrega, contra cualquier defecto en su funcionamiento, así como en materiales y mano de obra empleados para su fabricación. Nuestra garantía incluye la reparación o reposición del producto y/o componentes sin cargo alguno para el cliente, incluyendo mano de obra, así como los gastos de transportación razonablemente erogados derivados del cumplimiento de este certificado.

Para hacer efectiva esta garantía deberá presentar su herramienta y esta póliza sellada por el establecimiento comercial donde se adquirió el producto, de no contar con ésta, bastará la factura de compra.

EXCEPCIONES.

Esta garantía no será válida en los siguientes casos:

- Cuando el producto se hubiese utilizado en condiciones distintas a las normales;
- Cuando el producto no hubiese sido operado de acuerdo con el instructivo de uso que se acompaña;
- Cuando el producto hubiese sido alterado o reparado por personas distintas a las enlistadas al final de este certificado.

Anexo encontrará una relación de sucursales de servicio de fábrica, centros de servicio autorizados y franquiciados en la República Mexicana, donde podrá hacer efectiva su garantía y adquirir partes, refacciones y accesorios originales.

Garantía limitada por tres años

DEWALT reparará, sin cargo, cualquier falla que surja de defectos en el material o la fabricación del producto, por hasta tres años a contar de la fecha de compra. Esta garantía no cubre fallas de las piezas causadas por su desgaste normal o abuso a la herramienta. Para mayores detalles sobre la cobertura de la garantía e información acerca de reparaciones realizadas bajo garantía, visítenos en www.dewalt.com o llámenos al 1 800 433-9258 (1-800-4-DeWALT). Esta garantía no aplica a accesorios o a daños causados por reparaciones realizadas o intentadas por terceros. Esta garantía le otorga derechos legales específicos, además de los cuales puede tener otros dependiendo del estado o provincia en que se encuentre.

Además de la garantía, las herramientas DeWALT están cubiertas por:

1 AÑO DE SERVICIO GRATUITO

DEWALT mantendrá la herramienta y reemplazará las piezas gastadas por su uso normal, sin cobro, en cualquier momento durante un año a contar de la fecha de compra. Las piezas gastadas de la clavadora, tales como anillos tóricos y hojas del impulsor, no están cubiertas.

GARANTÍA DE REEMBOLSO DE SU DINERO POR 90 DÍAS

Si no está completamente satisfecho con el desempeño de su máquina herramienta, láser o clavadora DeWALT, cualquiera sea el motivo, podrá devolverlo hasta 90 días de la fecha de compra con su recibo y obtener el reembolso completo de su dinero – sin necesidad de responder a ninguna pregunta.

AMÉRICA LATINA: Esta garantía no se aplica a los productos que se venden en América Latina. Para los productos que se venden en América Latina, debe consultar la información de la garantía específica del país que viene en el empaque, llamar a la compañía local o visitar el sitio Web a fin de obtener esa información.

SUSTITUCIÓN GRATUITA DE LAS ETIQUETAS DE ADVERTENCIA: Si las etiquetas de advertencia se vuelven ilegibles o se pierden, llame al 1 800 433-9258 (1-800-4-DeWALT) para conseguir gratuitamente otras de repuesto.

DC012 WORK SITE CHARGER / RADIO

ADANGER RISK OF ELECTRIC SHOCK. 120 V AC PRESENT AT CHARGER TERMINALS. DO NOT PROBE WITH CONDUCTIVE OBJECTS. DO NOT CHARGE DAMAGED BATTERY PACKS. REPLACE IMMEDIATELY. REPLACE DEFECTIVE CORD IMMEDIATELY. THIS CLASS B DIGITAL APPARATUS COMPLIES WITH CANADIAN ICES-003. THIS DEVICE COMPLIES WITH PART 15 OF THE FCC RULES. OPERATION IS SUBJECT TO THE FOLLOWING TWO CONDITIONS: 1) THIS DEVICE MAY NOT CAUSE HARMFUL INTERFERENCE AND 2) THIS DEVICE MUST ACCEPT ANY INTERFERENCE RECEIVED INCLUDING INTERFERENCE THAT MAY CAUSE UNDESIRABLE OPERATION.

PELIGRO RIESGO DE CHOQUE ELÉCTRICO. 120 V DE CA PRESENTES EN LAS TERMINALES DEL RADIO/CARGADOR. NO REVISAR CON OBJETOS CONDUCTORES. NO RECARGAR LAS BATERÍAS DAÑADAS. REEMPLAZARLAS DE INMEDIATO. REEMPLAZAR EL CABLE DAÑADO DE INMEDIATO. ESTE APARATO CUMPLE CON LA SECCIÓN 15 DE LAS NORMAS FCC. ESTE APARATO DE LA CLASE B DIGITAL SE CONFORMA CON ICES-003 CANADIENSE. LA OPERACIÓN DEL PRODUCTO ESTÁ SUJETO A LAS DOS CONDICIONES SIGUIENTES: 1) ESTE APARATO NO PODRÁ OCASIONAR INTERFERENCIA PERJUDICIAL Y 2) ESTE APARATO DEBERÁ ACEPTAR CUALQUIER INTERFERENCIA RECIBIDA, INCLUYENDO LA INTERFERENCIA QUE PUDIERA OCASIONAR FUNCIONAMIENTO INDESEABLE.

ADANGER RISQUE DE SECOURSES ÉLECTRIQUES. 120 V C.A. AUX BORNES DU CHARGEUR. NE PAS TOUCHER AVEC DES OBJETS CONDUCTEURS. NE PAS CHARGER DES BLOCS-PILES ENDOMMAGÉS; LES REMPLACER SANS TARDER. REMPLACER IMMÉDIATEMENT UN CORDON DÉFECTUEUX. CET APPAREIL NUMÉRIQUE DE LA CLASSE B EST CONFORME À LA NORME NMB-003 DU CANADA. LE DISPOSITIF EST CONFORME À LA SECTION 15 DES NORMES DE L'ORGANISME AMÉRICAIN FCC. SON FONCTIONNEMENT RESPECTE LES DEUX CONDITIONS SUIVANTES: 1) LE DISPOSITIF NE PEUT CAUSER AUCUNE INTERFÉRENCE NUISIBLE, ET 2) LE DISPOSITIF PEUT ACCEPTER TOUTE INTERFÉRENCE REÇUE, Y COMPRIS DES INTERFÉRENCES QUI POURRAIENT EN ALTÉRER LE FONCTIONNEMENT.

CAUTION RISK OF ELECTRIC SHOCK
DO NOT OPEN

ADVERTENCIA RIESGO DE CHOQUE ELÉCTRICO.
NO ABRIR.

MISE EN GARDE RISQUE DE SECOURSES ÉLECTRIQUES. NE PAS OUVRIR.

DeWALT INDUSTRIAL TOOL CO., BALTIMORE, MD 21286 U.S.A. FOR SERVICE INFORMATION, CALL 1-800-4-DeWALT www.DeWALT.com

DC012 WORK SITE CHARGER / RADIO

ADWARNING FOR SAFE OPERATION, READ INSTRUCTION MANUAL. USE ONLY WITH DEWALT BATTERY PACKS. OTHERS MAY BURST CAUSING PERSONAL INJURY AND DAMAGE. READ ADDITIONAL SAFETY INFORMATION ON UNDERSIDE OF RADIO/CHARGER. **ADVERTENCIA:** POR FAVOR LEA EL MANUAL DE INSTRUCCIONES PARA LA OPERACIÓN SEGURA DEL PRODUCTO. HAGA FUNCIONAR SOLAMENTE CON LAS BATERÍAS DeWALT. OTRAS BATERÍAS AJENAS PODRÍAN EXPLOTAR Y OCASIONAR DAÑO O LESIONES PERSONALES. POR FAVOR LEA LA INFORMACIÓN DE SEGURIDAD SUPLEMENTARIA EN LA SUPERFICIE INFERIOR DEL CARGADOR. **AVERTISSEMENT:** AFIN DE S'ASSURER D'UN FONCTIONNEMENT SÛR, LIRE LE GUIDE D'UTILISATION. UTILISER SEULEMENT AVEC DE BLOCS-PILES DeWALT, TOUT AUTRE BLOC-PILE POURRAIT EXPLOSER ET CAUSER DES BLESSURES OU DES DOMMAGES. LIRE LES AUTRES MESURES DE SÛRETÉ QUI SE TROUVENT SOUS LE RADIO-CHARGEUR.

PARA REPARACIÓN Y SERVICIO DE SUS HERRAMIENTAS ELÉCTRICAS, FAVOR DE DIRIGIRSE AL CENTRO DE SERVICIO MÁS CERCAÑO

CULIACAN, SIN

Blvd. Emiliano Zapata 5400-1 Poniente

Col. San Rafael

(667) 717 89 99

GUADALAJARA, JAL

Av. La Paz #1779 - Col. Americana Sector Juárez

(33) 3825 6978

MEXICO, D.F.

Eje Central Lázaro Cárdenas No. 18

Local D, Col. Obrera

(55) 5588 9377

MERIDA, YUC

Calle 63 #459-A - Col. Centro

(999) 928 5038

MONTERREY, N.L.

Av. Francisco I. Madero 831 Poniente - Col. Centro

(818) 375 23 13

PUEBLA, PUE

17 Norte #205 - Col. Centro

(222) 246 3714

QUERETARO, QRO

Av. San Roque 274 - Col. San Gregorio

(442) 2 17 63 14

SAN LUIS POTOSI, SLP

Av. Universidad 1525 - Col. San Luis

(444) 814 2383

TORREON, COAH

Blvd. Independencia, 96 Pte. - Col. Centro

(871) 716 5265

VERACRUZ, VER

Prolongación Díaz Mirón #4280 - Col. Remes

(229) 921 7016

VILAHERMOSA, TAB

Constitución 516-A - Col. Centro

(993) 312 5111

PARA OTRAS LOCALIDADES:

Si se encuentra en México, por favor llame al (55) 5326 7100

Si se encuentra en U.S., por favor llame al

1-800-433-9258 (1-800 4-DEWALT)

SOLAMENTE PARA PROPÓSITO DE MÉXICO:
IMPORTADO POR: DEWALT S.A. DE C.V.
BOSQUES DE CIDROS, ACCESO RADIATAS NO.42
3A. SECCIÓN DE BOSQUES DE LAS LOMAS
DELEGACIÓN CUAJIMALPA,
05120, MÉXICO, D.F.
TEL. (52) 555-326-7100
R.F.C.: BDE810626-1W7

Para servicio y ventas consulte "HERRAMIENTAS ELÉCTRICAS" en la sección amarilla.



Battery Cat #	Output Voltage	Chargers/Charge Time (Minutes) – Chargeurs/Durée de charge (Minutes) – Cargadores de baterías/Tiempo de carga (Minutos)																									
		120 Volts												12 Volts													
		DC011	DC022	DC9000	DC9300	DC9320	DC9095	DCB100	DCB101	DCB102	DCB103	DCB106	DCB107	DCB112	DW911	DW9106	DW9107	DW9108	DW9116	DW9117	DW9118	DW9216	DW9226	DW9246	DCB119	DW0249	DW9109
DC9360	36	X	X	X	X	X	X	X	X	X	X	X	X	X	X	X	X	X	X	X	X	X	X	X	X	X	X
DCB361	36	X	X	X	X	X	X	X	X	X	X	X	X	X	X	X	X	X	X	X	X	X	X	X	X	X	X
DC9280	28	X	X	X	X	X	X	X	X	X	X	X	X	X	X	X	X	X	X	X	X	X	X	X	X	X	X
DW0242	24	X	X	X	X	X	X	X	X	X	X	X	X	X	X	X	X	X	X	X	X	X	X	X	X	X	X
DCB200	20	X	X	X	X	X	X	X	X	X	X	X	X	X	X	X	X	X	X	X	X	X	X	X	X	X	X
DCB201	20	X	X	X	X	X	X	X	X	X	X	X	X	X	X	X	X	X	X	X	X	X	X	X	X	X	X
DCB203	20	X	X	X	X	X	X	X	X	X	X	X	X	X	X	X	X	X	X	X	X	X	X	X	X	X	X
DCB204	20	X	X	X	X	X	X	X	X	X	X	X	X	X	X	X	X	X	X	X	X	X	X	X	X	X	X
DCB207	20	X	X	X	X	X	X	X	X	X	X	X	X	X	X	X	X	X	X	X	X	X	X	X	X	X	X
DC9096	18	X	X	X	X	X	X	X	X	X	X	X	X	X	X	X	X	X	X	X	X	X	X	X	X	X	X
DC9099	18	X	X	X	X	X	X	X	X	X	X	X	X	X	X	X	X	X	X	X	X	X	X	X	X	X	X
DC9180	18	X	X	X	X	X	X	X	X	X	X	X	X	X	X	X	X	X	X	X	X	X	X	X	X	X	X
DC9181	18	X	X	X	X	X	X	X	X	X	X	X	X	X	X	X	X	X	X	X	X	X	X	X	X	X	X
DW9096	18	X	X	X	X	X	X	X	X	X	X	X	X	X	X	X	X	X	X	X	X	X	X	X	X	X	X
DW9098	18	X	X	X	X	X	X	X	X	X	X	X	X	X	X	X	X	X	X	X	X	X	X	X	X	X	X
DW9099	18	X	X	X	X	X	X	X	X	X	X	X	X	X	X	X	X	X	X	X	X	X	X	X	X	X	X
DC9094	14.4	X	X	X	X	X	X	X	X	X	X	X	X	X	X	X	X	X	X	X	X	X	X	X	X	X	X
DC9091	14.4	X	X	X	X	X	X	X	X	X	X	X	X	X	X	X	X	X	X	X	X	X	X	X	X	X	X
DW9091	14.4	X	X	X	X	X	X	X	X	X	X	X	X	X	X	X	X	X	X	X	X	X	X	X	X	X	X
DW9094	14.4	X	X	X	X	X	X	X	X	X	X	X	X	X	X	X	X	X	X	X	X	X	X	X	X	X	X
DW9094	14.4	X	X	X	X	X	X	X	X	X	X	X	X	X	X	X	X	X	X	X	X	X	X	X	X	X	X
DCB120	12	X	X	X	X	X	X	X	X	X	X	X	X	X	X	X	X	X	X	X	X	X	X	X	X	X	X
DCB127	12	X	X	X	X	X	X	X	X	X	X	X	X	X	X	X	X	X	X	X	X	X	X	X	X	X	X
DC9071	12	X	X	X	X	X	X	X	X	X	X	X	X	X	X	X	X	X	X	X	X	X	X	X	X	X	X
DW9050	12	X	X	X	X	X	X	X	X	X	X	X	X	X	X	X	X	X	X	X	X	X	X	X	X	X	X
DW9071	12	X	X	X	X	X	X	X	X	X	X	X	X	X	X	X	X	X	X	X	X	X	X	X	X	X	X
DW9072	12	X	X	X	X	X	X	X	X	X	X	X	X	X	X	X	X	X	X	X	X	X	X	X	X	X	X
DW9048	9.6	X	X	X	X	X	X	X	X	X	X	X	X	X	X	X	X	X	X	X	X	X	X	X	X	X	X
DW9061	9.6	X	X	X	X	X	X	X	X	X	X	X	X	X	X	X	X	X	X	X	X	X	X	X	X	X	X
DW9062	9.6	X	X	X	X	X	X	X	X	X	X	X	X	X	X	X	X	X	X	X	X	X	X	X	X	X	X
DCB090	8	X	X	X	X	X	X	X	X	X	X	X	X	X	X	X	X	X	X	X	X	X	X	X	X	X	X
DW9057	7.2	X	X	X	X	X	X	X	X	X	X	X	X	X	X	X	X	X	X	X	X	X	X	X	X	X	X

"X" indicates that the battery pack is not compatible with that specific charger. Una "X" indica que el paquete de baterías no es compatible con ese determinado cargador.

All charge times are approximate. Actual charge time may vary. Read the instruction manual for more specific information. Les durées de charge sont approximatives; la durée de charge réelle peut varier. Lire le manuel d'utilisation pour obtenir des renseignements plus précis. El tiempo de duración de carga es aproximado; la duración de carga real puede variar. Lea el manual de instrucciones para obtener información más precisa.