

*If you have questions or comments, contact us.*

*Pour toute question ou tout commentaire, nous contacter.*

*Llámenos si tiene alguna pregunta o comentario.*

**855-805-5745 • [www.dewalt.com](http://www.dewalt.com)**

**INSTRUCTION MANUAL  
GUIDE DE UTILISATION  
MANUAL DE INSTRUCCIONES**

**DEWALT®**

**Electric Forced Air Heater DXH165**

**Chauffage électrique à air forcé DXH165**

**Calentador eléctrico de aire forzado DXH165**

2017 - 41000 - WO

**READ INSTRUCTIONS CAREFULLY:** Read and follow all instructions. Place instructions in a safe place for future reference. Do not allow anyone who has not read these instructions to assemble, adjust or operate the heater.

**VEUILLEZ LIRE ATTENTIVEMENT LES INSTRUCTIONS :** Lisez et observez toutes les instructions. Conservez ces instructions dans un endroit sécuritaire pour vous y référer ultérieurement. Interdisez à quiconque n'ayant pas lu les présentes directives d'assembler, de régler ou de faire fonctionner cette fournaise.

**LEA CUIDADOSAMENTE LAS INSTRUCCIONES:** Lea y siga todas las instrucciones. Conserve estas instrucciones en un lugar seguro para futura referencia. No permita que nadie que no haya leído estas instrucciones arme, ajuste o use el calentador.

**Definitions: Safety Guidelines**

The definitions below describe the level of severity for each signal word. Please read the manual and pay attention to these symbols.

- ▲ **DANGER:** Indicates an imminently hazardous situation which, if not avoided, **will** result in **death or serious injury**.
- ▲ **WARNING:** Indicates a potentially hazardous situation which, if not avoided, **could** result in **death or serious injury**.
- ▲ **CAUTION:** Indicates a potentially hazardous situation which, if not avoided, **may** result in **minor or moderate injury**.
- NOTICE:** Indicates a practice not related to personal injury which, if not avoided, **may** result in **property damage**.

**▲ WARNING: DO NOT OPERATE THIS HEATER UNTIL YOU READ AND UNDERSTAND THIS INSTRUCTION MANUAL FOR SAFETY, OPERATION, AND MAINTENANCE INSTRUCTIONS.**

▲ **CAUTION:** Use of this heater in any means not described in this manual may cause fire, electric shock, personal injury and/or property damage.

▲ **CAUTION:** This heater is hot when in use. To avoid burns, do not let bare skin touch hot surfaces. Keep combustible materials, such as furniture, pillows, bedding, papers, clothes, and curtains at least 6 feet ( 1.8 m) from the front of the heater and keep them at least 2 feet (.6 m) away from the sides and rear

▲ **CAUTION:** In order to avoid unintended cycling of the heater, always unplug or disconnect unit from power source when not in use.

▲ **CAUTION:** Do not cover the power supply wiring or run the wiring under any carpet or rugs. Arrange cord and connections away from traffic patterns so it is not a tripping hazard.

▲ **CAUTION:** Connect unit to only properly grounded outlets and adequately sized and grounded electrical systems.

▲ **CAUTION:** Do not use this unit with unapproved or under sized electrical connections or wiring. They may overheat and cause a risk of fire.

▲ **WARNING:** Do not use the heater if the unit, plug or cord has visible damage or the unit has malfunctioned. Contact a reputable electrician before reusing.

▲ **WARNING:** Do not expose to wet conditions; unit is intended for indoor use only.

▲ **WARNING:** Unit not intended for use in indoor areas where heater may be exposed to water. Avoid use in bathrooms, laundry rooms or any other areas where the unit may come in contact with water.

▲ **WARNING:** Do not insert or allow any foreign objects to enter the unit via the intake or exhaust vents on the unit. Failure to observe this warning may result in electric shock, fire or damage to the unit.

▲ **WARNING:** To prevent fire do not block either the air intake or exhaust.

▲ **WARNING:** Unit is equipped with internal active electrical components that spark during use. Do not use in areas where fumes from gasoline, paint or other flammable liquids may be present.

▲ **WARNING:** Extreme caution must be used when any heater is used by or near children or invalids and whenever the heater is left operating and unattended.

**SAVE THESE INSTRUCTIONS.**

## Assembly

- Remove the heater and all of the packaging material from the box.
- Check all of the packing material for loose parts and set aside.
- Locate the hardware package containing four screws and the handle.
- Thoroughly inspect the heater for damage. If any is found do not contact the place of purchase. Please call the Manufacturer at 855-805-5745.
- Use the screws to fasten the handle to the top of the unit. Note: Do not over tighten the screws as they can crack the handle.

*Handle and Hardware pack are located in the carton loose, be sure not to throw out.*

## Operational Information

The DeWalt Electric forced air heaters are designed to be used by professionals.

Heat is created by electric current passing through coiled metal elements bringing them up to very high temperatures. The fan then passes room air over the hot elements exchanging cold air for warm.

The air moving over the coils keeps them from reaching temperatures that are not safe for the normal operation of the heater. However it is important to keep all combustible materials and any objects that may be sucked into the fan blades at a safe distance (please refer to the table on the next page for appropriate distances). Make sure that the fan blades remain unobstructed at all times.

Keep unit clean and dust free. Do not block unit intake or exhaust at any time.

## Operation

Review and understand all warnings in this manual. Follow all local codes.

This unit is designed to be used with 115v ac only.

This unit is supplied with the appropriate (NEMA 5-15P) plug. Do not use any plug other than the one supplied by the manufacturer.

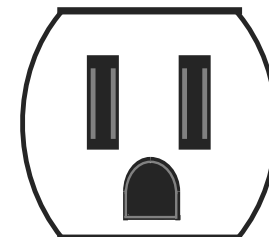
If damage has occurred please refer to the parts listing in this manual and contact the manufacturer for a replacement.

This unit is designed to be used with a properly grounded NEMA 5-15 outlet only (shown on the right).

**▲WARNING:** *Outlet must be properly grounded, failure to do so may result in electric shock.*

## CONTENTS

WARNINGS .....	2
ASSEMBLY .....	3
OPERATION .....	3-4
SPECIFICATIONS .....	4
CLEARANCES .....	4
MAINTENANCE .....	4
TROUBLESHOOTING .....	5
WIRING DIAGRAM .....	6
EXPLODED VIEW/PARTS LIST .....	7-8
WARRANTY .....	9
INSTRUCTIONS FOR ORDERING PARTS .....	9



NEMA 5-15R

## Starting Instructions

1. Place the heater on a stable and level surface. Insure clearance to combustibles are observed (see table on this page).
2. Turn thermostat counter-clockwise to lowest setting.
3. Plug the heater into a properly grounded outlet.
4. Depress the power switch into the on "I" position.
5. Turn thermostat knob up (clockwise) until desired temperature is reached.
6. The Heating element and fan will remain on until the temperature setting is reached. The unit will cycle on and off as needed.

## To Stop Heating

1. Rotate the thermostat knob to the lowest position.
2. Flip the power switch into the off "O" position.
3. Disconnect plug from power supply.

*NOTE: This heater is equipped with an overheat limit switch which may cause the heater to stop. This is indicated by a visual alarm when the power switch is in the on position and the "fault" light comes on. (fig 1) Check and remove the cause of the overheating before restarting. Preform steps 1 through 3 of the Stop Heating procedure above. Once the unit is cool (may take up to 15 minutes) remove the black cap near the handle base, using a flat head screw driver if necessary. Using a non-metallic object, depress the reset switch inside the access hole. When the heater is plugged back into power and turned on the "fault" light will dim and the heater may be operated again. Replace the black cap into the access hole.*

## Maintenance

### ▲ WARNING:

Never attempt to service the heater while the unit is hot, In use, or plugged in. Only qualified service technicians should service these units.

- Thoroughly inspect the unit prior to use.
- Keep heater clean and free of dust and debris.
- The use of an air compressor can be used to blow out the case. Be sure to only use moderate air pressure as to not damage any internal components.
- A soft dry cloth should be used for cleaning of outer shell and handle.
- The fan motor is sealed and does not need to be lubricated.

## Specifications

<b>Model:</b>	<b>DXH165</b>
Heat Output BTU/WATTS	5118/1500
Airflow (CFM)	120
Electrical Supply	120V/12.5A /60Hz
Power Cord (supplied)	3-14 AWG
Plug (supplied)	NEMA 5-15p
Min. Extension Cord	3-12 AWG
Operating Temperature	0°F - 80°F
Dimensions: (L"xW"xH")	13"x9"x11"
Weight (lbs.)	14 lb.

## Clearance to Combustibles

Outlet (Feet)	6 (1.8m)
Rear (Feet)	2 (.6m)
Tom (Feet)	2 (.6m)
Bottom	Non-combustible floor

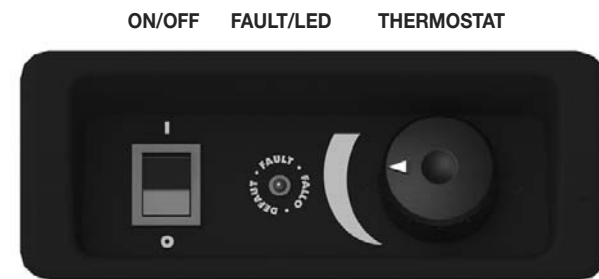


FIG. 1

## Storage

When not in use, the heater must be disconnected from power source, dusted off and the cord should be loosely wound around the handle.

### For service :

Please call Toll-Free 855-805-5745 [www.dewalt.com](http://www.dewalt.com)

Our office hours are 8:30 AM – 5:00 PM, EST, Monday through Friday.

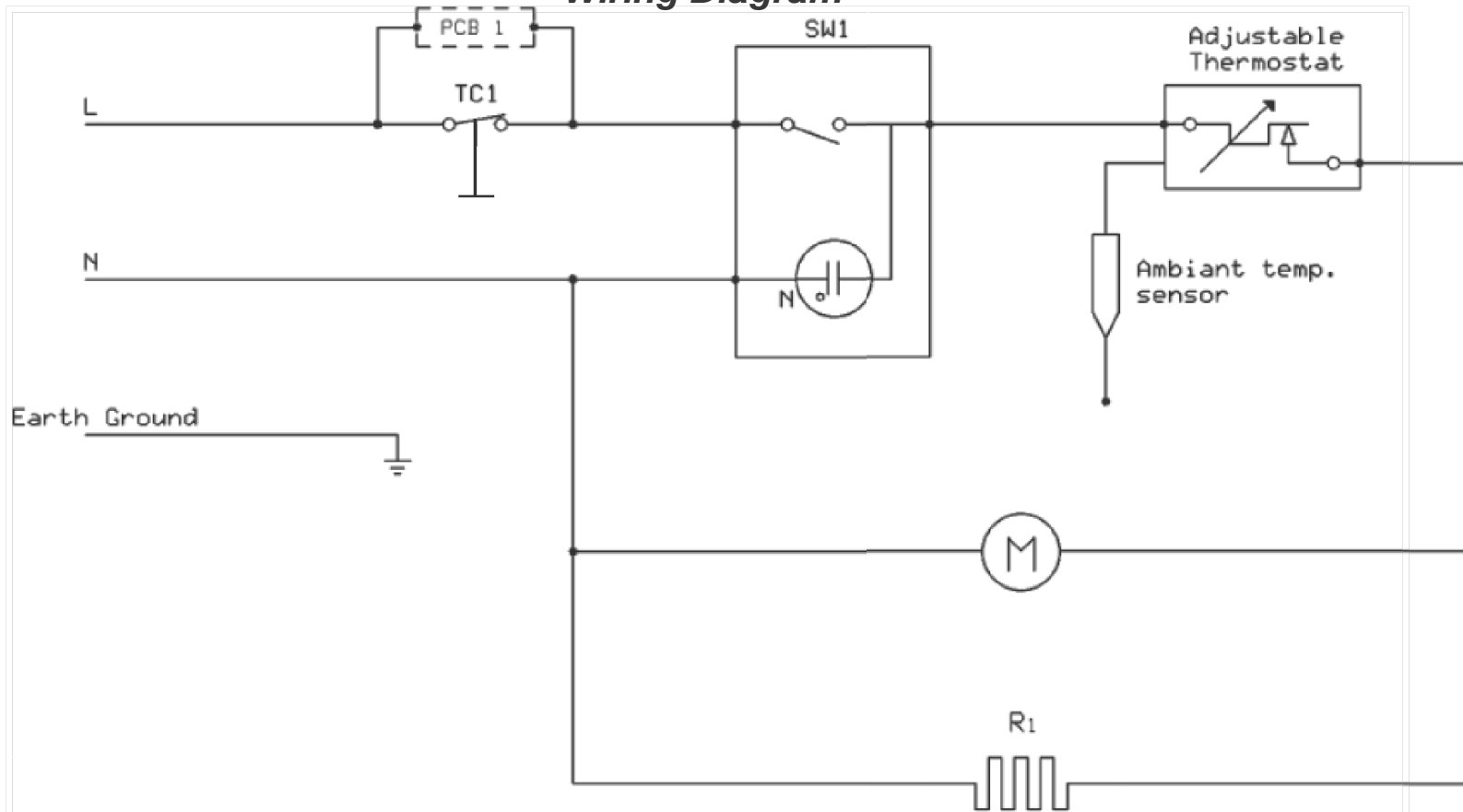
Please include the model number, date of purchase, and description of problem in all communication.

**▲WARNING: USE ONLY MANUFACTURER'S REPLACEMENT PARTS. USE OF ANY OTHER PARTS COULD CAUSE INJURY OR DEATH. REPLACEMENT PARTS ARE ONLY AVAILABLE DIRECT FROM THE FACTORY AND MUST BE INSTALLED BY A QUALIFIED SERVICE AGENCY.**

## Troubleshooting

<b>Symptoms</b>	<b>Causes</b>	<b>Solutions</b>
Heater does not operate	Damaged or defective outlet	Reset source circuit breaker or replace fuse.
	Unit power switch not turned on	Turn power switch on.
Heater does not operate (power switch illuminated)	Wrong thermostat setting	Adjust thermostat knob to higher temperature.
	Defective Thermostat, Heating Coil, or Power Switch	Refer to page 8 for parts & services.
Heater does not operate (fault light illuminated)	Thermal overload switch has been tripped	Manual reset (see Stop Heating note on page 4).
Elements are on but motor does not rotate	Obstructed fan blade	Unplug unit, verify fan blade spins freely.
	Fan motor's internal breaker tripped	Unplug, let cool to room temperature.
	Defective motor	Refer to page 8 for parts & services.
Desired room temperature cannot be reached	Supply voltage lower than 120 Volts	Verify the power supply voltage.
	Unit undersize for application	Refer to page 9 for information regarding service.
Overheating (repetitive heater faulting)	Ambient temperature too high	Operate heater under 80°F ambient room temperature (see Stop Heating note on page 4).

### Wiring Diagram



SW1 = Power switch with neon lamp 250 Vac 16 amp

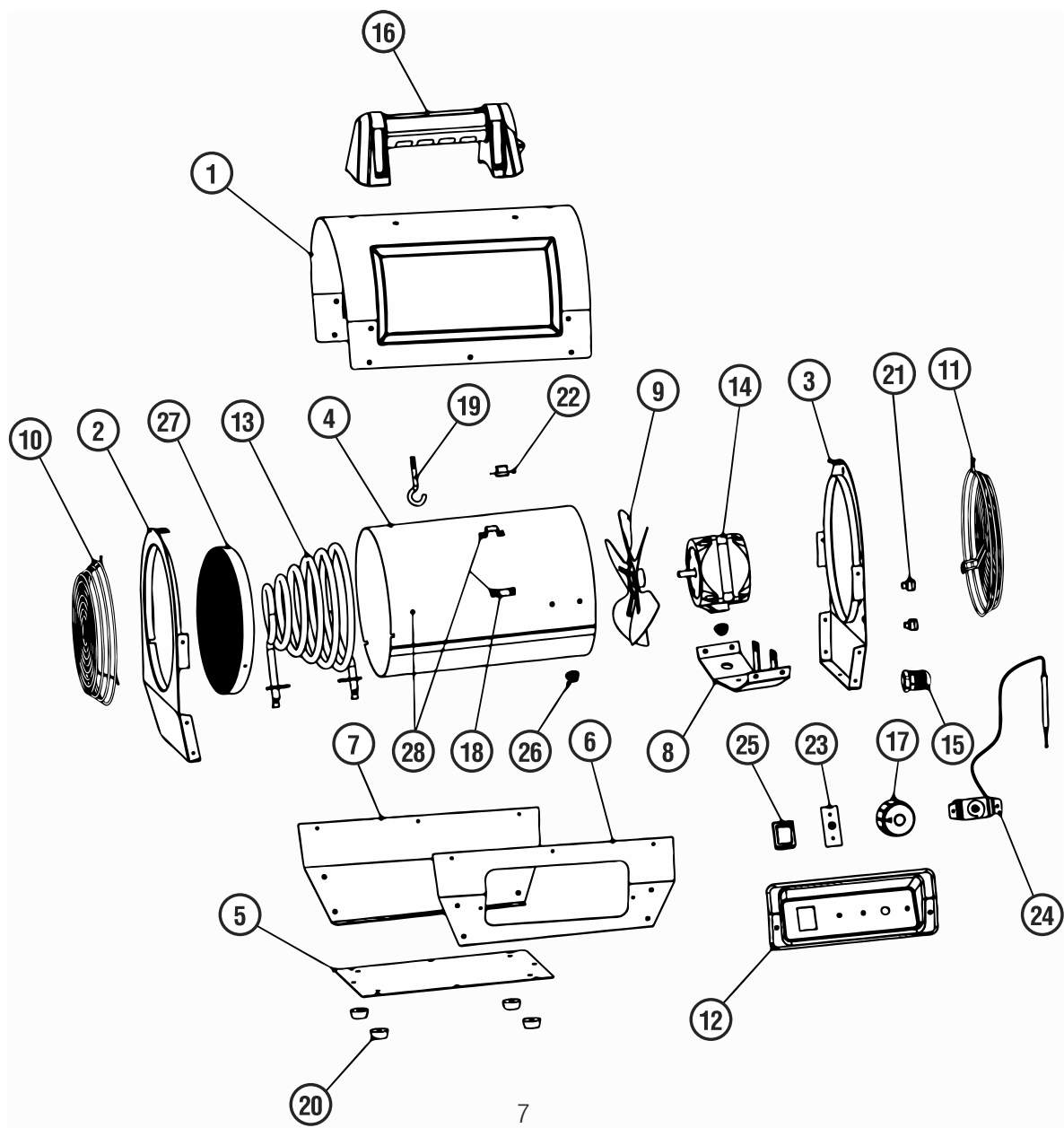
TC1 = Normally closed high limit switch 77° C

R1 = Heating element

M = Fan motor

PCB 1 = High limit indicator printed circuit board

**DXH165**



## Parts List DXH165

REF. # .....	ITEM#.....	DESCRIPTION	REF. # .....	ITEM#.....	DESCRIPTION
1.....	41010 .....	COVER, TOP, SHELL, OUTER	15.....	41025 .....	BUSHING, STRAIN, RELIEF
2.....	41011 .....	PANEL, FRONT	16.....	40801 .....	HANDLE, CARRY
3.....	41012 .....	PANEL, REAR	17.....	41027 .....	KNOB, THERMOSTAT, PLASTIC
4.....	41013 .....	SHIELD, RADIATION, TUBE	18.....	N/A.....	BRACKET, WIRE MOUNT
5.....	41014 .....	BASE, PLATE	19.....	41029 .....	SUPPORT, HEATING ELEMENT
6.....	41016 .....	PANEL, SIDE, LEFT	20.....	41030 .....	FOOT, RUBBER
7.....	41017 .....	PANEL, SIDE, RIGHT	21.....	41031 .....	CLIP, SENSOR, CAPILLARY TUBE
8.....	41018 .....	BRACKET, MOUNT, MOTOR	22.....	41032 .....	SWITCH, HIGH LIMIT, 77C
9.....	41019 .....	BLADE, FAN	23.....	41015 .....	BOARD, CIRCUIT, HIGH LIMIT, INDICATOR
10.....	41020 .....	GUARD, GRILL, FRONT	24.....	41034 .....	THERMOSTAT, TEMPERATURE, AMBIENT
11.....	41021 .....	GUARD, GRILL, REAR	25.....	41035 .....	SWITCH, LIGHTED, ON/OFF
12.....	41022 .....	PANEL, CONTROL, PLASTIC	26.....	41036 .....	BUSHING, PLASTIC, WIRE
13.....	41023 .....	ELEMENT, HEATING	27.....	41028 .....	FRONT SCREEN ASSEMBLY
14.....	41024 .....	MOTOR, FAN	28.....	41093 .....	RADIATION SHIELD TUBE W/BRACKETS
			*	41097 .....	Power Cord

\*Not shown on drawing.

### ▲ **WARNING:**

Use only manufacturer's replacement parts. Use of any other parts could cause injury or death. Replacement parts are only available direct from the factory and must be installed by a qualified service agency.

### **For Service**

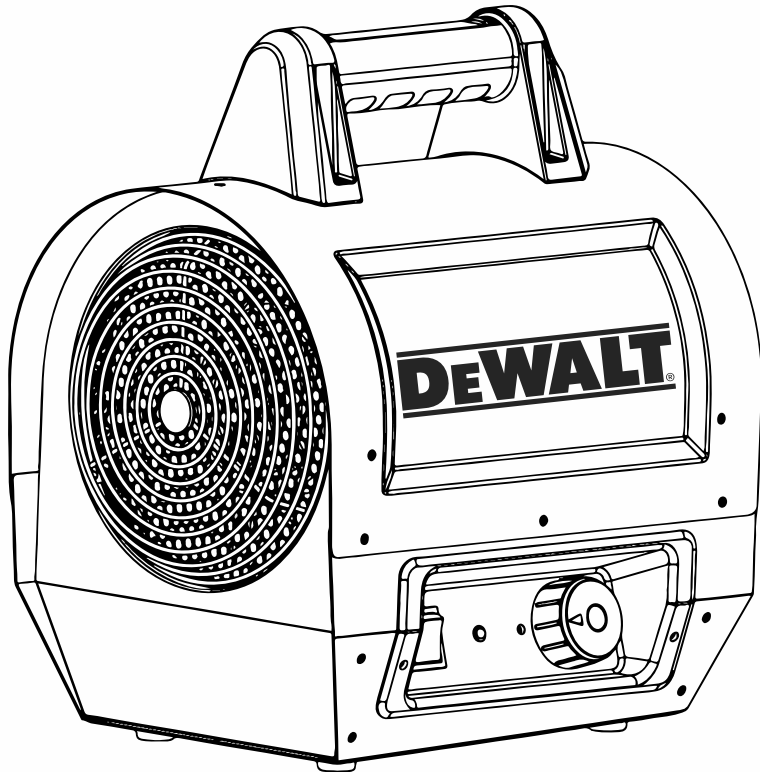
Please call Toll-Free 855-805-5745 [www.dewalt.com](http://www.dewalt.com)  
 Our office hours are 8:00 AM – 5:00 PM, EST, Monday through Friday.  
 Please include the model number, date of purchase, and description of problem in all communication.





## INSTRUCTION MANUAL

### Electric Forced-Air Heater DXH165



### **Warning:**

Use only manufacturer's replacement parts. Use of any other parts could cause injury or death. Replacement parts are only available direct from the factory and must be installed by a qualified service agency.

### **PARTS ORDERING INFORMATION:**

**PURCHASING:** Accessories may be purchased at any DeWalt® local dealer or direct from the factory

### **FOR INFORMATION REGARDING SERVICE:**

Please call Toll-Free 855-805-5745  
[www.dewalt.com](http://www.dewalt.com)

Our office hours are 8:00 AM – 5:00 PM, EST, Monday through Friday.

Please include the model number, date of purchase, and description of problem in all communication.

### **LIMITED WARRANTY:**

DeWalt® warrants its heaters and accessories to be free from defects in material and workmanship for a period of 1 year from date of purchase. DeWalt® will repair or replace this product free of charge if it has been proven to be defective within the 1-year period, and is returned at customer expense with proof of purchase to DeWalt® within the warranty period.

DEWALT®, GUARANTEED TOUGH® and the yellow and black color scheme are trademarks of the DEWALT Industrial Tool Co., used under license. ©2013 DEWALT. EGI/Enerco Group Inc. Under license from Dewalt Industrial Tool Co.



CSA C22.2#46

U.L. 1278