

*If you have questions or comments, contact us.
Pour toute question ou tout commentaire, nous contacter.*

Si tiene dudas o comentarios, contáctanos.

855-805-5745 • www.dewalt.com

**INSTRUCTION MANUAL
GUIDE DE UTILISATION
MANUAL DE INSTRUCCIONES**

INSTRUCTIVO DE OPERACION, CENTROS DE SERVICIO Y POLIZA DE GARANTIA, **ADVERTENCIA:** LEASE ESTE INSTRUCTIVO ANTES DE USAR EL PRODUCTO.

DEWALT®

**Electric Forced Air Heater DXH2000 and DXH2003P
Chauffage électrique à air forcé DXH2000 and DXH2003P
Calentador eléctrico de aire forzado DXH2000 and DXH2003P**

41002

READ INSTRUCTIONS CAREFULLY: Read and follow all instructions. Place instructions in a safe place for future reference. Do not allow anyone who has not read these instructions to assemble, adjust or operate the heater.

VEUILLEZ LIRE ATTENTIVEMENT LES INSTRUCTIONS : Lisez et observez toutes les instructions. Conservez ces instructions dans un endroit sécuritaire pour vous y référer ultérieurement. Interdisez à quiconque n'ayant pas lu les présentes directives d'assembler, de régler ou de faire fonctionner cette fournaise.

LEA CUIDADOSAMENTE LAS INSTRUCCIONES: Lea y siga todas las instrucciones. Conserve estas instrucciones en un lugar seguro para futura referencia. No permita que nadie que no haya leído estas instrucciones arme, ajuste o use el calentador.

Definitions: Safety Guidelines

The definitions below describe the level of severity for each signal word. Please read the manual and pay attention to these symbols.

- ▲ **DANGER:** Indicates an imminently hazardous situation which, if not avoided, **will** result in **death or serious injury**.
- ▲ **WARNING:** Indicates a potentially hazardous situation which, if not avoided, **could** result in **death or serious injury**.
- ▲ **CAUTION:** Indicates a potentially hazardous situation which, if not avoided, **may** result in **minor or moderate injury**.
- NOTICE:** Indicates a practice not related to personal injury which, if not avoided, **may** result in **property damage**.

▲ WARNING: DO NOT OPERATE THIS HEATER UNTIL YOU READ AND UNDERSTAND THIS INSTRUCTION MANUAL FOR SAFETY, OPERATION, AND MAINTENANCE INSTRUCTIONS.

▲ CAUTION: Use of this heater in any means not described in this manual may cause fire, electric shock, personal injury and/or property damage.

▲ CAUTION: This heater is hot when in use. To avoid burns, do not let bare skin touch hot surfaces. Keep combustible materials, such as furniture, pillows, bedding, papers, clothes, and curtains at least 6 feet (1.8 m) from the front of the heater and keep them at least 2 feet (.6 m) away from the sides and rear

▲ CAUTION: In order to avoid unintended cycling of the heater, always unplug or disconnect unit from power source when not in use.

▲ CAUTION: Do not cover the power supply wiring or run the wiring under any carpet or rugs. Arrange cord and connections away from traffic patterns so it is not a tripping hazard.

▲ CAUTION: Connect unit to only properly grounded outlets and adequately sized and grounded electrical systems.

▲ CAUTION: Do not use this unit with unapproved or under sized electrical connections or wiring. They may overheat and cause a risk of fire.

▲ WARNING: Do not use the heater if the unit, plug or cord has visible damage or the unit has malfunctioned. Contact a reputable electrician before reusing.

▲ WARNING: Do not expose to wet conditions; unit is intended for indoor use only.

▲ WARNING: Unit not intended for use in indoor areas where heater may be exposed to water. Avoid use in bathrooms, laundry rooms or any other areas where the unit may come in contact with water.

▲ WARNING: Do not insert or allow any foreign objects to enter the unit via the intake or exhaust vents on the unit. Failure to observe this warning may result in electric shock, fire or damage to the unit.

▲ WARNING: To prevent fire do not block either the air intake or exhaust.

▲ WARNING: Unit is equipped with internal active electrical components that spark during use. Do not use in areas where fumes from gasoline, paint or other flammable liquids may be present.

▲ WARNING: Extreme caution must be used when any heater is used by or near children or invalids and whenever the heater is left operating and unattended.

SAVE THESE INSTRUCTIONS.

Assembly

- Remove the heater and all of the packaging material from the box.
 - Check all of the packing material for loose parts and set aside.
 - Remove and retain the four handle mounting screws that are threaded into the top shell.
 - Thoroughly inspect the heater for damage. If any is found do not contact the place of purchase. Please call the Manufacturer at 855-805-5745.
 - Use the four handle mounting screws to fasten the handle to the top of the heater
- Note: Do not over tighten the screws as they can crack the handle.

The handle is located in the carton loose be sure not to throw out.

Operational Information

The DeWalt Electric forced air heaters are designed to be used by professionals.

Heat is created by electric current passing through coiled metal elements bringing them up to very high temperatures. The fan then passes room air over the hot elements exchanging cold air for warm.

The air moving over the coils keeps them from reaching temperatures that are not safe for the normal operation of the heater. However it is important to keep all combustible materials and any objects that may be sucked into the fan blades at a safe distance (please refer to the table on the next page for appropriate distances). Make sure that the fan blades remain unobstructed at all times.

Keep unit clean and dust free. Do not block unit intake or exhaust at any time.

Operation

Review and understand all warnings in this manual. Follow all local codes. These heaters are designed to be used with 240v ac only.

This heater must be wired by a certified electrician.

CONTENTS

WARNINGS	2
ASSEMBLY	3-4
OPERATION	5-6
SPECIFICATIONS	5
CLEARANCES	5
MAINTENANCE	5
TROUBLESHOOTING	6
WIRING DIAGRAMS	7
PARTS LISTS/EXPLODED VIEWS.....	8-11
WARRANTY	12
INSTRUCTIONS FOR ORDERING PARTS	12

WHEEL KIT ASSEMBLY

CONTENTS			
REF#	ITEM#	ITEM DESCRIPTION	QTY
1	40857	Handle Assembly	1
2	21875	Carriage Assembly	1
3	21897	Axle Assembly	1
4	40859	Wheels Assembly	2
5	41076	Base Plate	1
6	28787	Hardware Kit	1
	Hardware Kit Includes	Screws, w/nuts Wheel Spacer Hub Cap Large Washer Cotter Pin Base Plate Bolts	4 2 2 2 2 4
	Tools Needed	-Phillips Head Screw driver -Socket Wrench w/ 9/16 socket or wrench	
After completely unpacking wheel kit, inspect for damaged or missing pieces. If there are damaged or missing pieces please contact 1-800-805-5745			

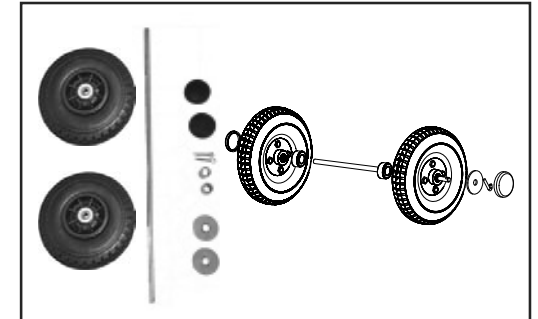


Step 1.



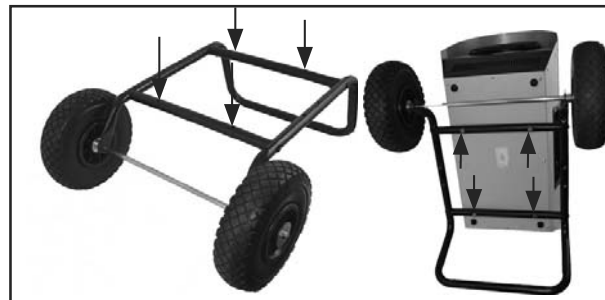
Remove bottom panel off heater and reuse same screws to install the base plate that is provided in the kit.

Step 2.



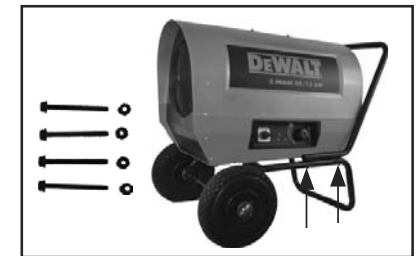
Install the axle and wheels to the carriage.

Step 3.



Set the heater on top of carriage lining the four threaded bolt holes with the four holes on the carriage. Attach the heater to the carriage by using the four bolts provided in hardware kit.

Step 4.



Attach the handle to the carriage using the four nuts and bolts provided in the hardware kit.

FOR ANY QUESTIONS:

Please call Toll Free 1-855-805-5745

Please include the model number, date of purchase and description of problem in all communications.

Starting Instructions, After Heater Has Been Professionally Wired

1. Place the heater on a stable and level surface. Insure clearance to combustibles are observed (see table on this page).
2. Turn thermostat counter-clockwise to lowest setting.
3. Move 4 way selector switch from the off position to the fan position for fan only operation.
4. Move the selector switch to the 13kW position for partial power operation. The partial power input requirement for the DXH2000 is 240Vac/54A which requires the use of a 60A/2 pole circuit breaker. The partial power input requirement for the DXH2003P is 240Vac/33A which requires the use of a 40A/3 pole circuit breaker.
5. Turn thermostat knob up (clockwise) until desired temperature setting is reached.
6. Move the selector switch to the 20kW position for full power operation. The full power input requirement for the DXH2000 is 240Vac/81A which requires the use of a 100A/2 pole circuit breaker. The full power requirement for the DXH2003P is 240Vac/50A which requires a 60A/3 pole circuit breaker.
7. The heating element and fan will remain on until the temperature setting is reached. The heating element will cycle on and off as needed. The fan will remain on as long as the control switch is in the on position.

To Stop Heating

Rotate the 4 way selector switch to the fan position for cool down. When the unit is cool move the selector switch to the off position.

NOTE: This heater is equipped with an overheat limit switch which may cause the heater to stop. This is indicated by a visual alarm when the power switch is in the on position and all lights are off. (fig 1) Check and remove the cause of the overheating before restarting. This can take up to 15 minutes to cool before it can be restarted.

Maintenance

▲ WARNING:

Never attempt to service the heater while the unit is hot, In use, or plugged in. Only qualified service technicians should service these units.

- Thoroughly inspect the unit prior to use.
- Keep heater clean and free of dust and debris.
- The use of an air compressor can be used to blow out the dust from the heater case. Be sure to only use moderate air pressure as to not damage any internal components.

- A soft dry cloth should be used for cleaning of outer shell and handle.
- The fan motor is sealed and does not need to be lubricated.

Specifications

Model:	DXH2000	DXH2003P
Heat Output BTU/WATTS	44,357/13kW - 68,242/20kW	44,357/13kW - 68,242/20kW
Power Cord	6/3 AWG for 10' or less	8/4 AWG for 10' or less
Airflow (CFM)	725	725
Electrical Supply	240Vac	240Vac
Minimum Breaker Required	60A/2 Pole/Low - 100A/2 Pole/Hi	40A/3 Pole/Low - 60A/3 Pole/Hi
Amps	54/81	33/50
Thermostat	23 F - 95 F	23 F - 95 F
Dimensions: (L"xW"xH")	27"x15"x18"	27"x15"x18"
Weight (lbs.)	49 lb.	49 lb.

Clearance to Combustibles

Outlet (Feet)	6 (1.8m)
Rear (Feet)	2 (.6m)
Top (Feet)	2 (.6m)
Bottom	Non-combustible floor

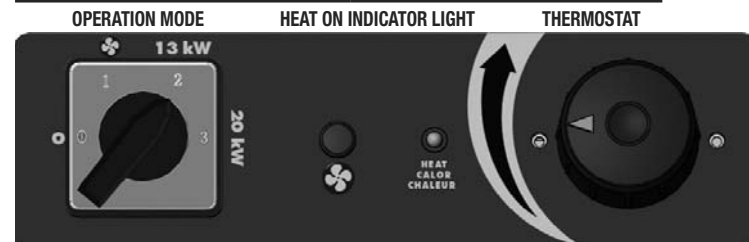


FIG. 1

Fan indicator light is on when circulation fan is operating.

Note: Your heater is equipped with auto cool down and warm-up features.

AUTO COOLDOWN.

When the heater is running and the selector switch is rotated to the off position, the heater will automatically keep the fan operating until the heater is cool. The fan will then shut off.

AUTO WARM-UP.

When the heater is stored or started in very cold conditions and a heating mode is selected, the heating element will turn on to warm up the unit before the fan will start to blow hot air.

▲WARNING: USE ONLY MANUFACTURER'S REPLACEMENT PARTS. USE OF ANY OTHER PARTS COULD CAUSE INJURY OR DEATH. REPLACEMENT PARTS ARE ONLY AVAILABLE DIRECT FROM THE FACTORY AND MUST BE INSTALLED BY A QUALIFIED SERVICE AGENCY.

Storage

When not in use, the heater must be disconnected from power source, dusted off and the cord should be loosely wound around the handle.

For service :

Please call Toll-Free 855-805-5745 www.dewalt.com

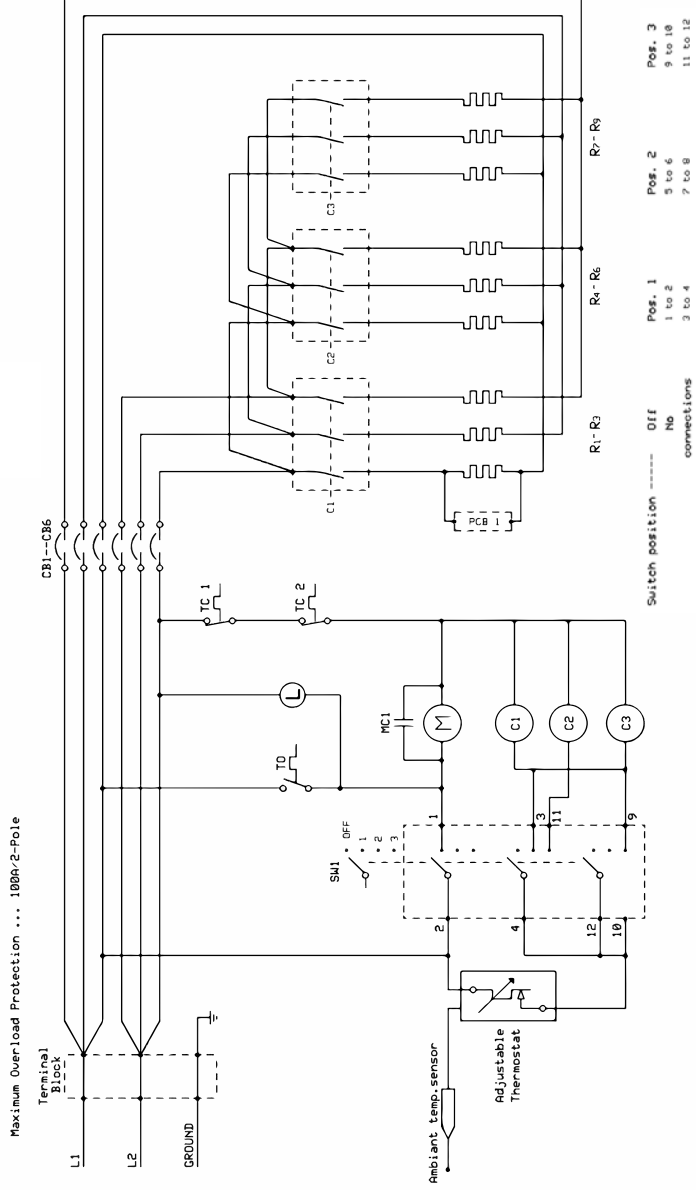
Our office hours are 8:00 AM – 5:00 PM, EST, Monday through Friday.

Please include the model number, date of purchase, and description of problem in all communication.

Troubleshooting

Unit does not work	<ul style="list-style-type: none"> • Defective thermostat or wrong thermostat setting • Open circuit breaker or fuse • Thermal overload switch has been tripped • Faulty Connection • Damaged or defective plug or outlet
Unit runs continuously	<ul style="list-style-type: none"> • Defective thermostat or wrong thermostat setting • Heat losses higher than unit capacity (unit undersized)
Elements are on but motor does not rotate	<ul style="list-style-type: none"> • Defective Motor • Blocked fan blades
Enclosure is extremely hot	<ul style="list-style-type: none"> • Defective thermal protection • Blocked air vents • Defective motor
Desired room temperature cannot be reached	<ul style="list-style-type: none"> • One or more elements are defective • Defective thermostat or wrong thermostat setting • Voltage lower than that written on Rate tag • Heat losses higher than unit capacity (unit undersized)
Overheating	<ul style="list-style-type: none"> • Defective thermostat or wrong thermostat setting • Defective Motor
Heater emits a humming sound	<ul style="list-style-type: none"> • Defective motor • Fan blade blocked

WIRING DIAGRAM Model1 DXH2000

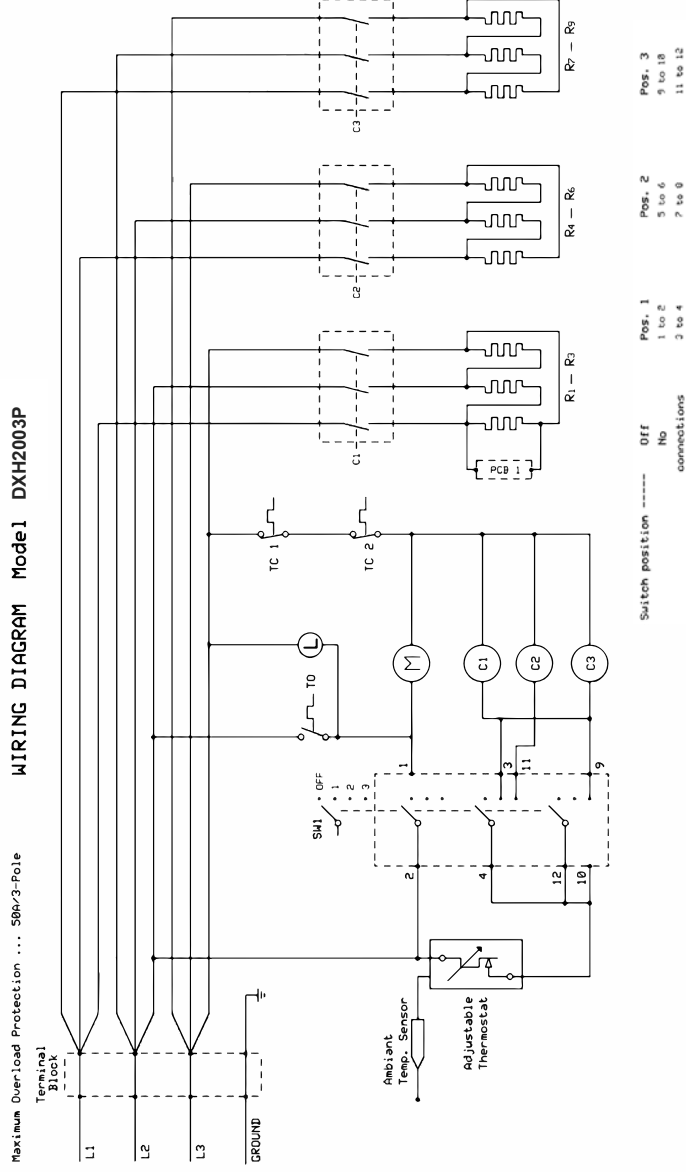


SM1 = Power switch (4 position)
 C1 - C3 = Contactors & contactor coils
 TC 1 = Normally closed high limit switch 77°C
 TC 2 = Normally closed high limit switch 77°C
 TO = Normally open fan/cool-down switch 37°C
 R1 - R9 = Heating Elements
 PCB1 = Heat on LED indicator printed circuit board
 M = Fan motor
 L = Fan on indicator lamp
 CB1 - CB6 = Circuit Breakers 1 through 6 (CB amp)
 MC1 = Motor capacitor

Switch position ----- Off No connections
 Pos. 1 1 to 2 3 to 4
 Pos. 2 5 to 6 7 to 8
 Pos. 3 9 to 10 11 to 12

Wiring Diagrams

WIRING DIAGRAM Model1 DXH2003P



SM1 = Power switch (4 position)
 C1 - C3 = Contactors & contactor coils
 TC 1 = Normally closed high limit switch 77°C
 TC 2 = Normally closed high limit switch 77°C
 TO = Normally open fan/cool-down switch 37°C
 R1 - R9 = Heating Elements
 PCB1 = Heat on LED indicator printed circuit board
 L = Fan on indicator lamp
 M = Fan motor
 MC1 = Motor capacitor

Switch position ----- Off No connections
 Pos. 1 1 to 2 3 to 4
 Pos. 2 5 to 6 7 to 8
 Pos. 3 9 to 10 11 to 12

Parts List DXH2000

REF. #.....ITEM#..... DESCRIPTION	REF. #.....ITEM#..... DESCRIPTION
1.....N/A.....COVER, TOP, SHELL, OUTER	21.....41092BRACKET, SWITCH, FAN, COOL DOWN
2.....N/A.....PANEL, FRONT	22.....N/ABRACKET, WIRE MOUNT
3.....N/A.....PANEL, REAR	23.....N/ABRACKET, BLOCK, TERMINAL, WIRING
4.....N/A.....SHIELD, RADIATION, TUBE	24.....41051DOOR, ACCESS
5.....N/A.....BASE, PLATE	25.....41064GUARD, GRILL, FRONT
6.....N/A.....PANEL, SIDE, LEFT	26.....41029SUPPORT, HEATING ELEMENT
7.....N/A.....PANEL, SIDE, RIGHT	27.....41030FOOT, RUBBER
8.....N/A.....BRACKET, MOUNT, MOTOR	28.....41031CLIP, SENSOR, CAPILLARY TUBE
9.....41080BRACKET, SWITCH, HIGH LIMIT	29.....41067MOTOR, FAN
10.....N/ABRACKET, CONTACTOR, ELEMENT, HEATING	30.....41094BLOCK, TERMINAL, WIRING
11.....41082GUARD, GRILL, REAR	31.....41070CAPACITOR, MOTOR, STARTER
12.....41083BLADE, FAN	32.....41032SWITCH, HIGH LIMIT, 77C
13.....41084ELEMENT, HEATING	33.....41053BOARD, CIRCUIT, HEAT ON,INDICATOR
14.....41085PANEL, CONTROL, PLASTIC	34.....41095HANDLE, CARRY
15.....41086CONTACTOR, ELEMENT, HEATING	35.....41027KNOB, THERMOSTAT, PLASTIC
16.....41087SWITCH, MAIN, 4, POSITION	36.....41034THERMOSTAT, TEMPERATURE, AMBIENT
17.....41088SWITCH, FAN, COOL DOWN, 37C	37.....41036BUSHING, PLASTIC, WIRE
18.....41089INDICATOR, FAN ON	38.....41096BUSHING, PLASTIC, WIRE
19.....41090BREAKER, CIRCUIT, 30AMP	39.....41081FRONT SCREEN ASSEMBLY
20.....41091BUSHING, STRAIN, RELIEF	40.....41100RADIATION SHIELD TUBE W/BRACKETS

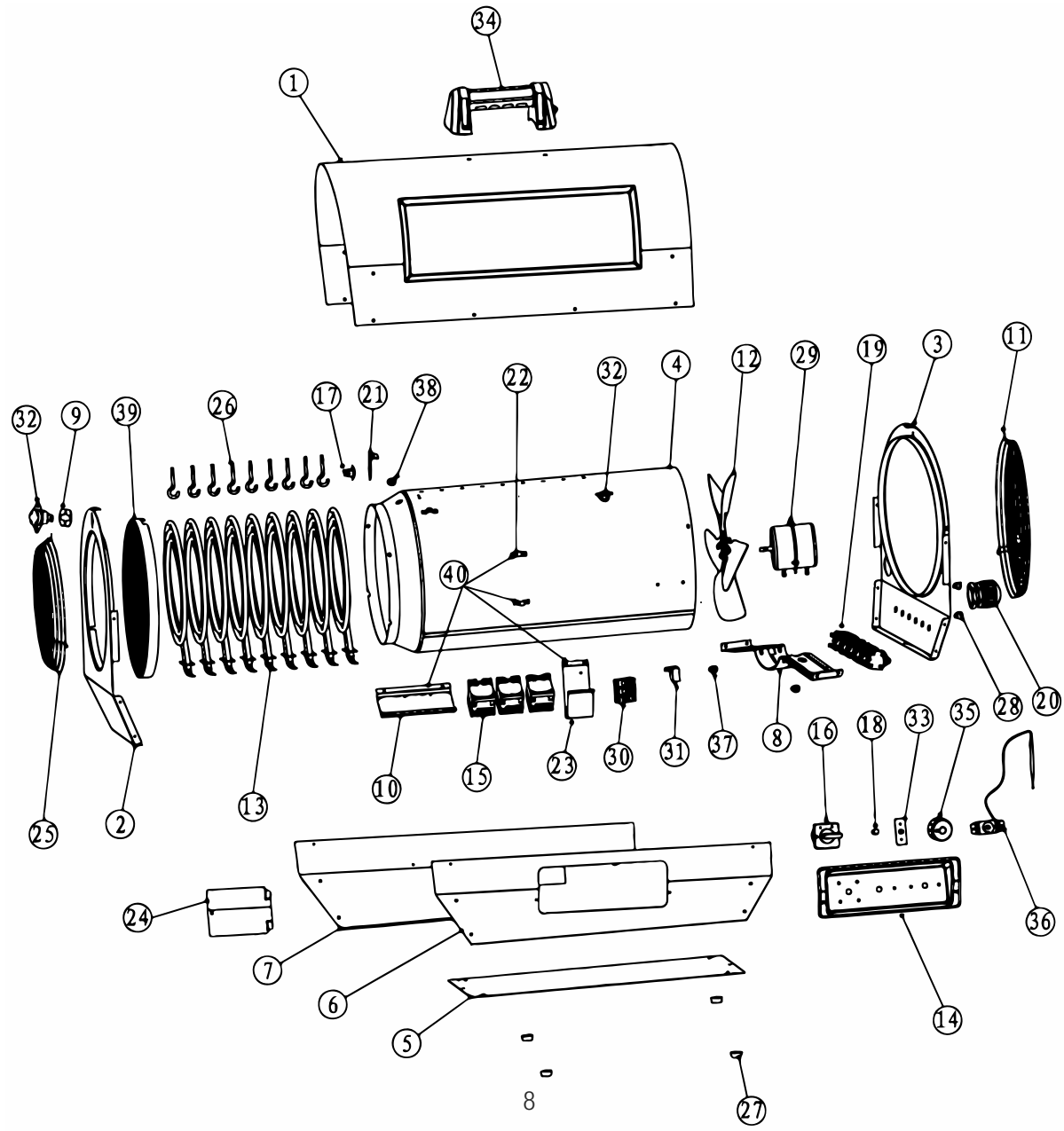
▲ **WARNING:**

Use only manufacturer's replacement parts. Use of any other parts could cause injury or death. Replacement parts are only available direct from the factory and must be installed by a qualified service agency.

For Service

Please call Toll-Free 855-805-5745 www.dewalt.com
 Our office hours are 8:00 AM – 5:00 PM, EST, Monday through Friday.
 Please include the model number, date of purchase, and description of problem in all communication.

DXH2000



Parts List DXH2003P

REF. #.....ITEM#..... DESCRIPTION	REF. #.....ITEM#..... DESCRIPTION
1.....N/A.....COVER, TOP, SHELL, OUTER	20.....41092BRACKET, SWITCH, FAN, COOLDOWN
2.....N/A.....PANEL, FRONT	21.....N/ABRACKET, WIRE MOUNT
3.....N/A.....PANEL, REAR	22.....N/ABRACKET, BLOCK, TERMINAL, WIRING
4.....N/A.....SHIELD, RADIATION, TUBE	23.....41051DOOR, ACCESS
5.....N/A.....BASE, PLATE	24.....41064GUARD, GRILL, FRONT
6.....N/A.....PANEL, SIDE, LEFT	25.....41029SUPPORT, HEATING ELEMENT
7.....N/A.....PANEL, SIDE, RIGHT	26.....41030FOOT, RUBBER
8.....N/A.....BRACKET, MOUNT, MOTOR	27.....41031CLIP, SENSOR, CAPILLARY TUBE
9.....41080BRACKET, SWITCH, HIGH LIMIT	28.....41067MOTOR, FAN
10.....N/ABRACKET, CONTACTOR, ELEMENT, HEATING	29.....41101BLOCK, TERMINAL, WIRING
11.....41082GUARD, GRILL, REAR	30.....41070CAPACITOR, MOTOR, STARTER
12.....41083BLADE, FAN	31.....41032SWITCH, HIGH LIMIT, 77C
13.....41084ELEMENT, HEATING	32.....41053BOARD, CIRCUIT, HEAT ON, INDICATOR
14.....41085PANEL, CONTROL, PLASTIC	33.....41095HANDLE, CARRY
15.....41086CONTACTOR, ELEMENT, HEATING	34.....41027KNOB, THERMOSTAT, PLASTIC
16.....41087SWITCH, MAIN, 4, POSITION	35.....41034THERMOSTAT, TEMPERATURE, AMBIANT
17.....41088SWITCH, FAN, COOLDOWN, 37C	36.....41036BUSHING, PLASTIC, WIRE
18.....41089INDICATOR, FAN ON	37.....41096BUSHING, PLASTIC, WIRE
19.....41091BUSHING, STRAIN, RELIEF	38.....41081FRONT SCREEN ASSEMBLY
	39.....41100RADIATION SHIELD TUBE W/BRACKETS

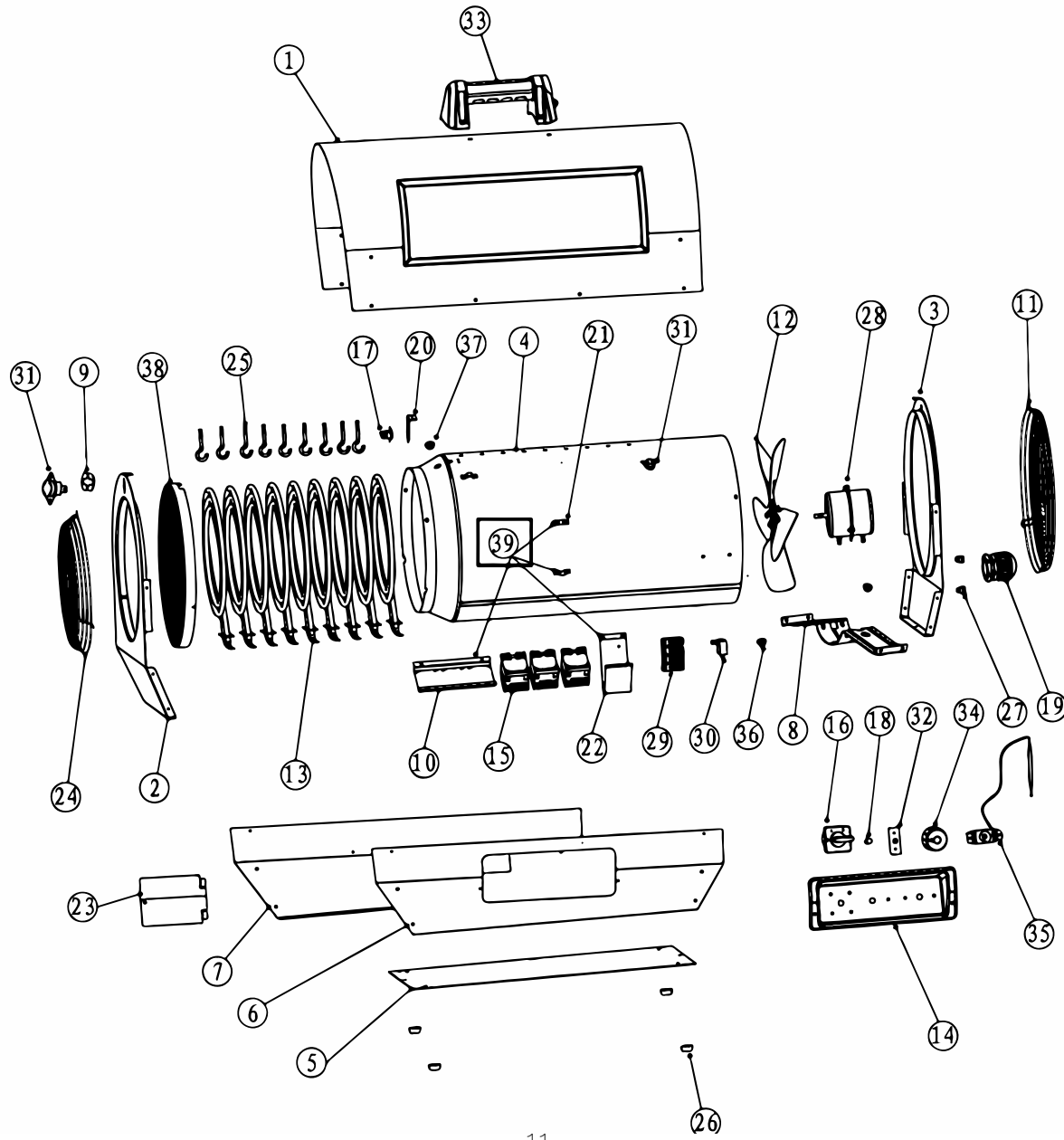
▲ **WARNING:**

Use only manufacturer's replacement parts. Use of any other parts could cause injury or death. Replacement parts are only available direct from the factory and must be installed by a qualified service agency.

For Service

Please call Toll-Free 855-805-5745 www.dewalt.com
 Our office hours are 8:00 AM – 5:00 PM, EST, Monday through Friday.
 Please include the model number, date of purchase, and description of problem in all communication.

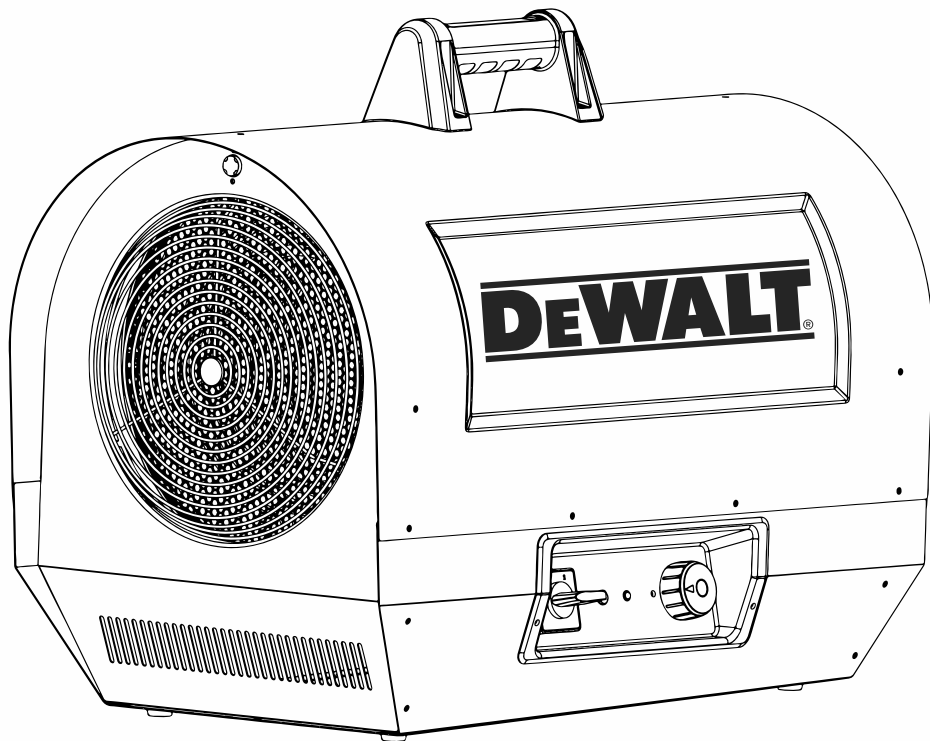
DXH2003P





INSTRUCTION MANUAL

Electric Forced-Air Heater DXH2000, DXH2003P



Warning:

Use only manufacturer's replacement parts. Use of any other parts could cause injury or death. Replacement parts are only available direct from the factory and must be installed by a qualified service agency.

PARTS ORDERING INFORMATION:

PURCHASING: Accessories may be purchased at any DeWalt® local dealer or direct from the factory

FOR INFORMATION REGARDING SERVICE:

Please call Toll-Free 855-805-5745
www.dewalt.com

Our office hours are 8:00 AM – 5:00 PM, EST, Monday through Friday.

Please include the model number, date of purchase, and description of problem in all communication.

LIMITED WARRANTY:

DeWalt® warrants its heaters and accessories to be free from defects in material and workmanship for a period of 1 year from date of purchase. DeWalt® will repair or replace this product free of charge if it has been proven to be defective within the 1-year period, and is returned at customer expense with proof of purchase to DeWalt® within the warranty period.

DEWALT®, GUARANTEED TOUGH® and the yellow and black color scheme are trademarks of the DEWALT Industrial Tool Co., used under license.
©2018 DEWALT. EGI/Enerco Group Inc. Under license from Dewalt Industrial Tool Co.

